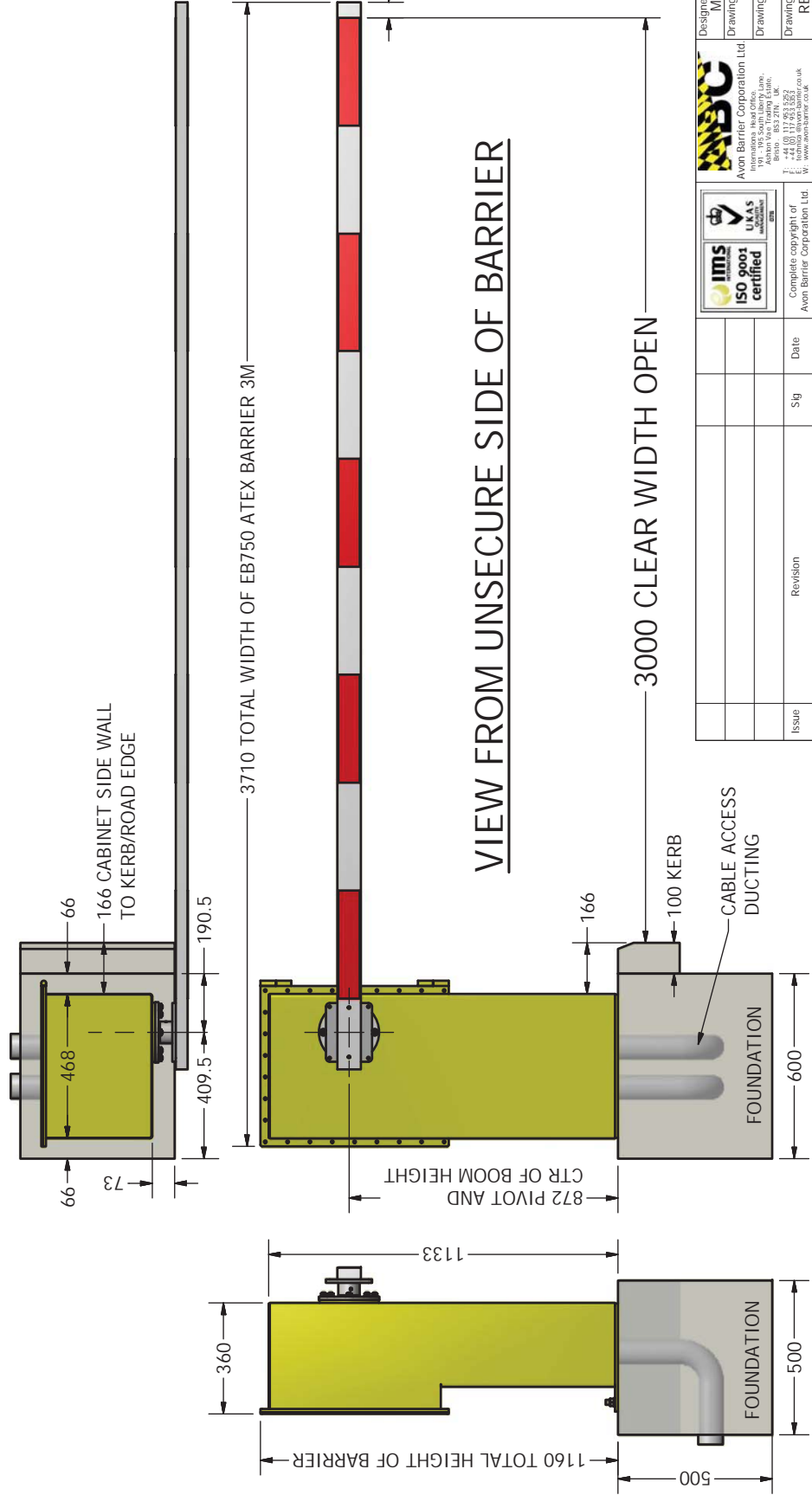
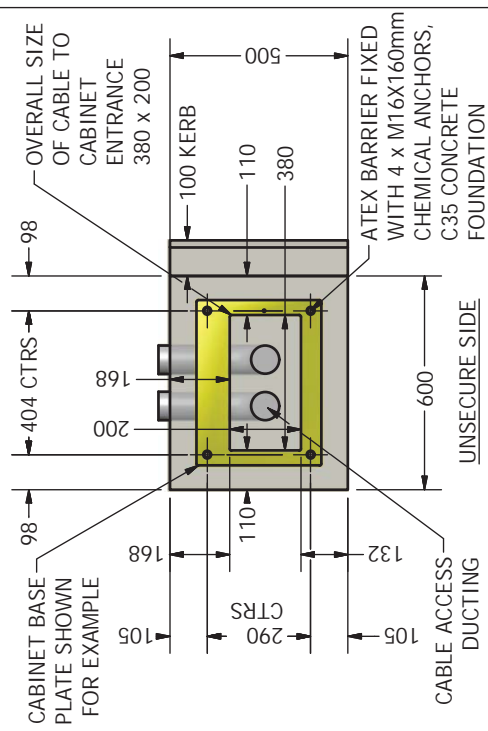
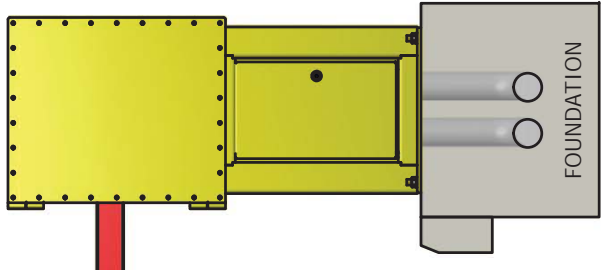


FOUNDATION AND ANCHOR FIXING DETAILS



VIEW FROM SECURE SIDE OF BARRIER

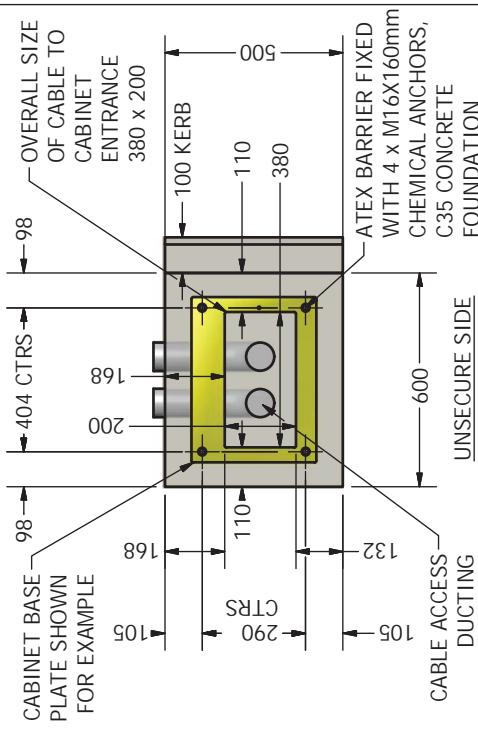
VIEW FROM UNSECURE SIDE OF BARRIER



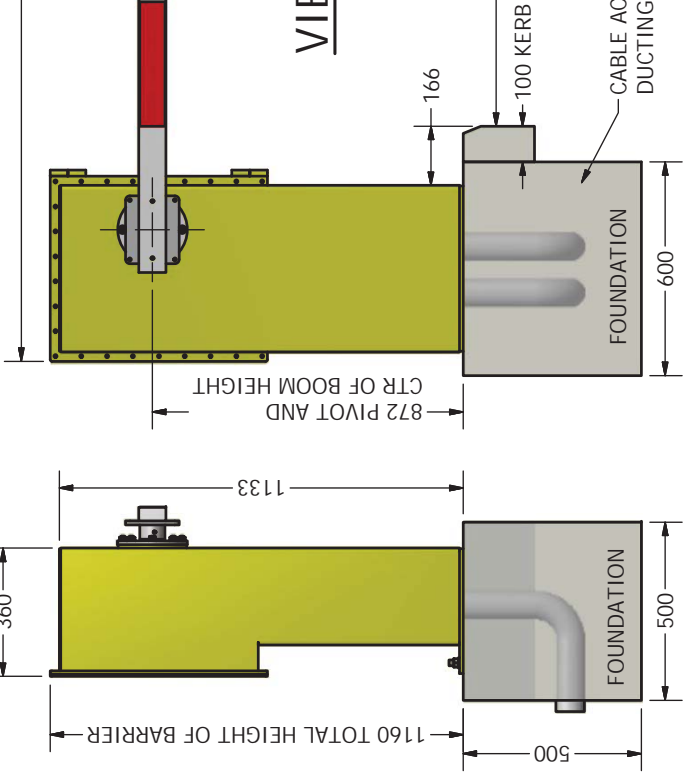
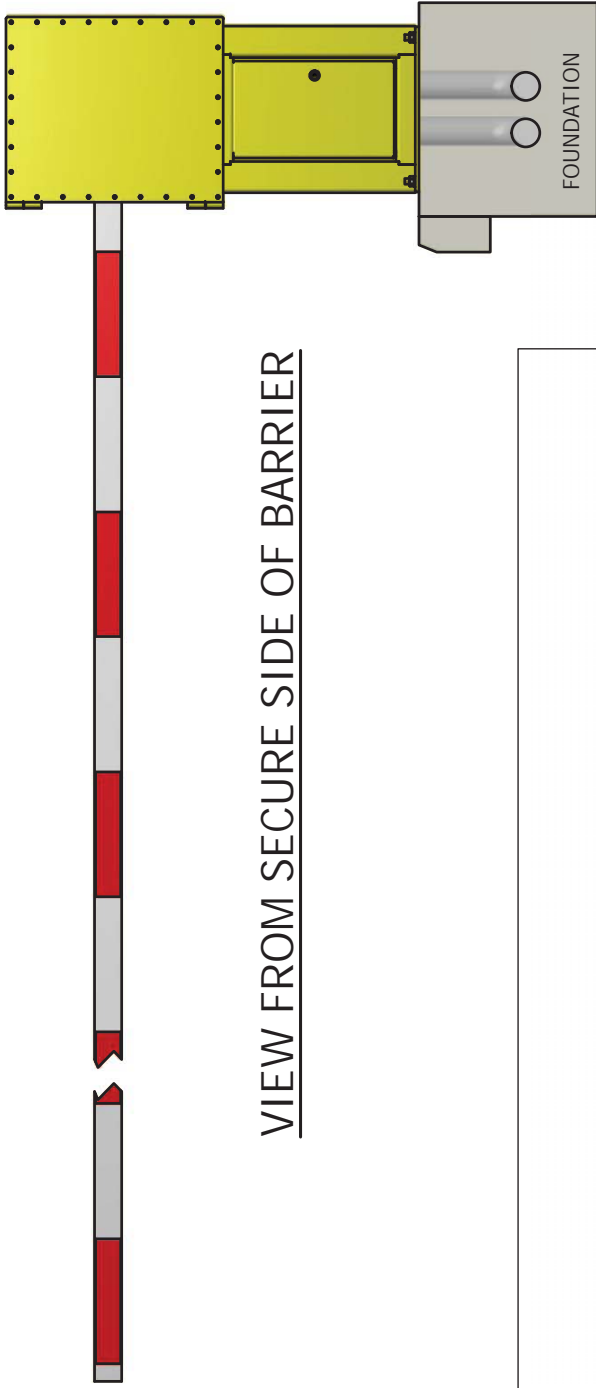
Issue	Revision	Sig	Date
RELEASED			
Sheet Number	Sheet Size	Sheet Number	Revision
A3	A3	1 / 1	1
Designd	M P H	Dwg Check	M P H
M P H	M P H	M P H	M P H
Designed Date 04/10/2012			
Drawing Title ATEX BARRIER WITH 3M CLEAR WIDTH OPEN			
Drawing Number ATEx - 0001 - 0010 - CWO - 3M BOOM			
Drawing Status			
Avon Barrier Corporation Ltd			
Avon Way, Trinity Lane, Horsham, West Sussex, BN12 9DF, UK			
T: +44 (0) 1243 822222			
F: +44 (0) 1243 822222			
W: www.avonbarrier.co.uk			
Complete copyright of Avon Barrier Corporation Ltd.			



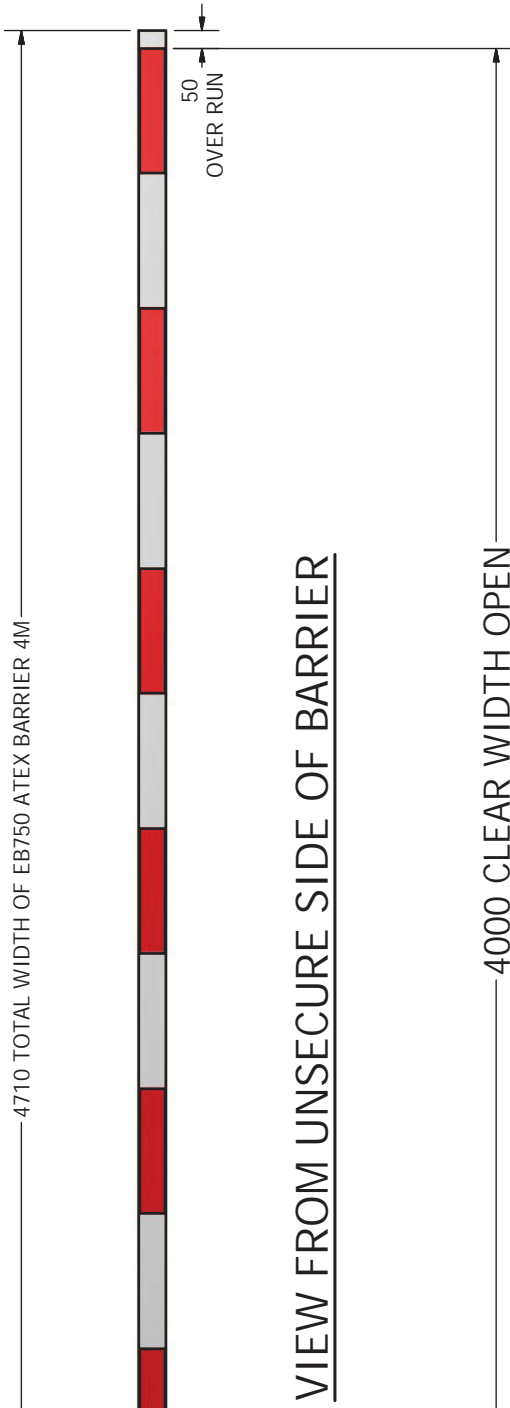
FOUNDATION AND ANCHOR FIXING DETAILS



VIEW FROM SECURE SIDE OF BARRIER



VIEW FROM UNSECURE SIDE OF BARRIER



Complete copyright of Avon Barrier Corporation Ltd.  
 Issue Date Sig Revision

Designed	M P H	Dwg Check	M P H	Eng Check	M P H
Drawing Title	ATEX BARRIER WITH 4M CLEAR WIDTH OPEN				
Drawing Number	ATEX - 0001 - 0011 - CWO - 4M BOOM				
Drawing Status	RELEASED	Sheet Number	A3	Sheet Size	1 / 1
Revision					1