



Avon Barrier

Avon Cedar Gate



The **Avon Cedar Gate** has been designed and developed around the original Avon MDA barrier and Newey barrier, a UK government design of security gate providing a cost effective means of securing an entry or exit point whilst still providing a high level of protection.

The manually operated lifting gate is a Hostile Vehicle Mitigation (HVM) solution, ideal for low volumes of traffic flow or where the access point is used infrequently.

The gate has been physically impact tested independently a number of times, in accordance with PAS 68 using 7500kg N2 vehicle travelling at 48kph (30mph) by the Transport Research Laboratory (TRL) and MIRA Ltd.

Impact tests have included 3 metre, 4.5 metre & 6 metre clear width opening models of the gate providing a physical protection to sites from extreme Vehicle Borne Improvised Explosive Device (VBIED) attack.

Features

- Physically crash tested to PAS 68 criteria
- Manufactured from heavy gauge materials
- Simple to install
- Manually operated

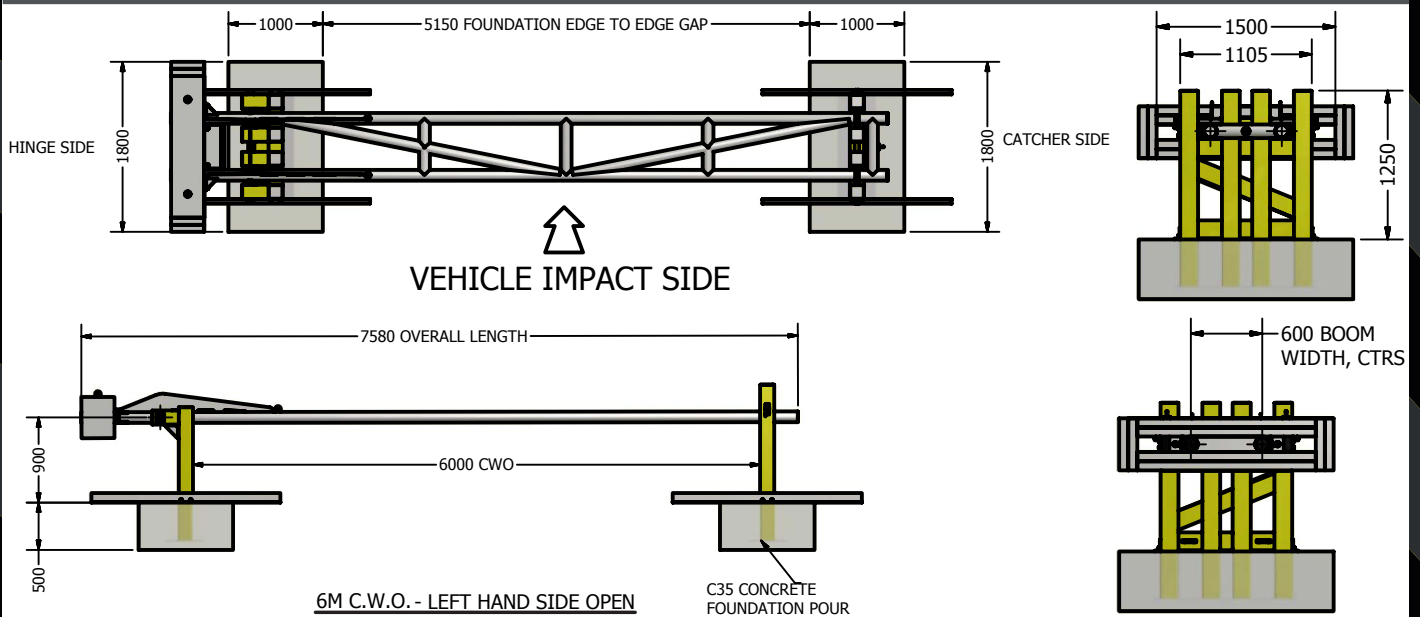
Benefits

- Confidence in security performance
- Strength and durability
- Ease of installation
- No power supply required

Hostile Vehicle Mitigation

sales@avon-barrier.com
Tel: +44 (0) 117 953 5252

Technical Specification Avon Cedar Gate



The Avon Cedar Gate is a manually operated lifting gate available with a range of clear width openings. The arm sits 900mm above the roadway and is supported by 2 side support frames.

It has been designed to be installed with the minimum of ease and can secure an access point where traffic flow is low or to secure a roadway for longer periods of time.

The gate is counterweighted for ease of operation and comes with a manual locking mechanism to secure the barrier in the lowered / closed position.



Technical Details

Physical Dimensions:	900mm H x 1800 mm x 500 mm H Gate aperture – 3m - 6m Max
Operation:	Manual
Impact absorption:	7500kg @ 48kph
PAS 68 Classification:	V/7500(N2)/48/90:0.3/0.0 - 6m model V/7500(N2)/48/90:0/0 - 4.5m model
Tested models:	3m, 4.5m & 6m Gate aperture
Construction:	The Boom Catcher Frames are fabricated from heavy structural steel sections, which are anchored into the foundations: they are designed to support the boom in the lowered position and to take a full impact load. The barrier is constructed from heavy duty steel.



Avon Barrier Corporation Ltd
149 South Liberty Lane
Bristol BS3 2TL
United Kingdom

Tel +44 (0) 117 953 5252
Fax +44 (0) 117 953 5373
Email sales@avon-barrier.com
www.avon-barrier.com

Avon Barrier reserve the right to change or amend the specification of its products from time to time in furtherance of its policy of continued improvements.

