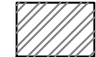
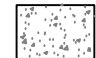
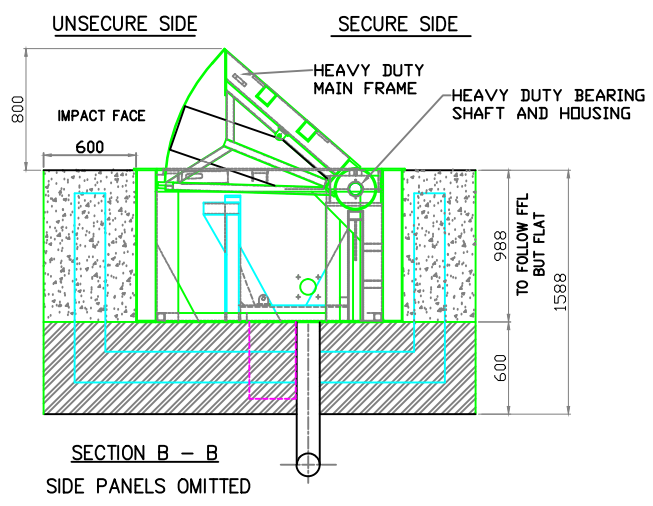
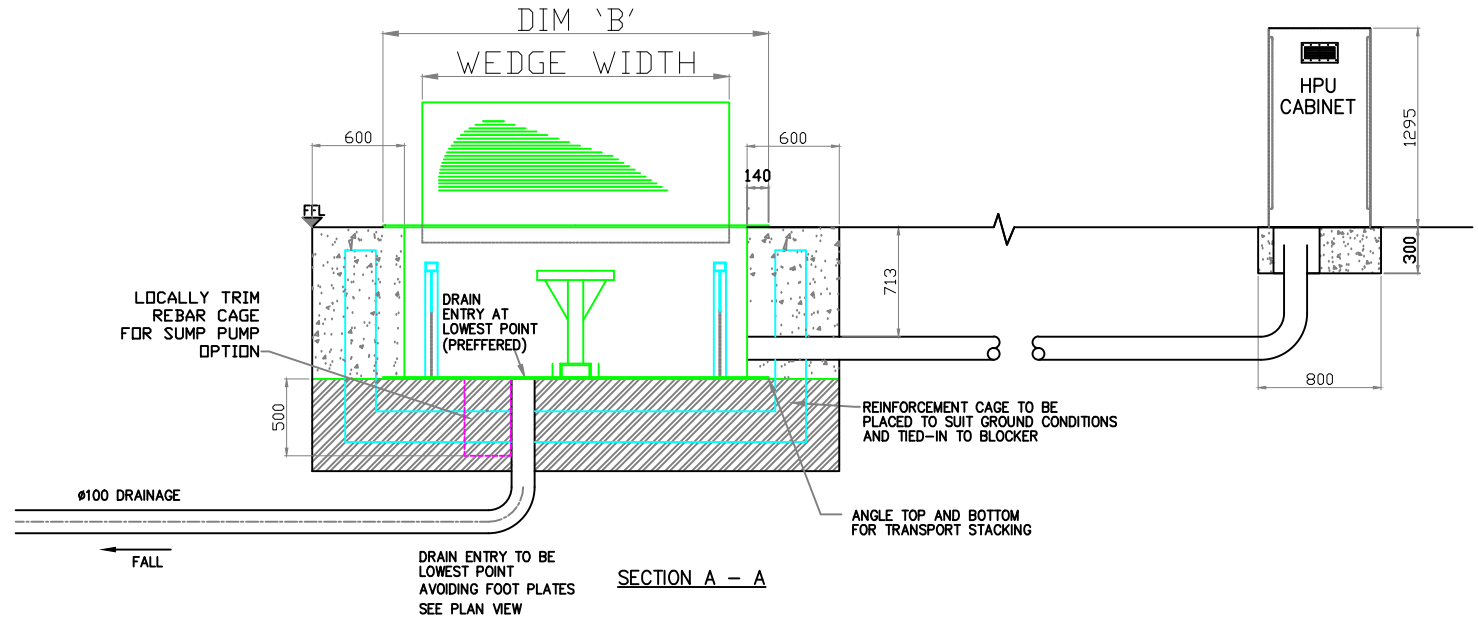
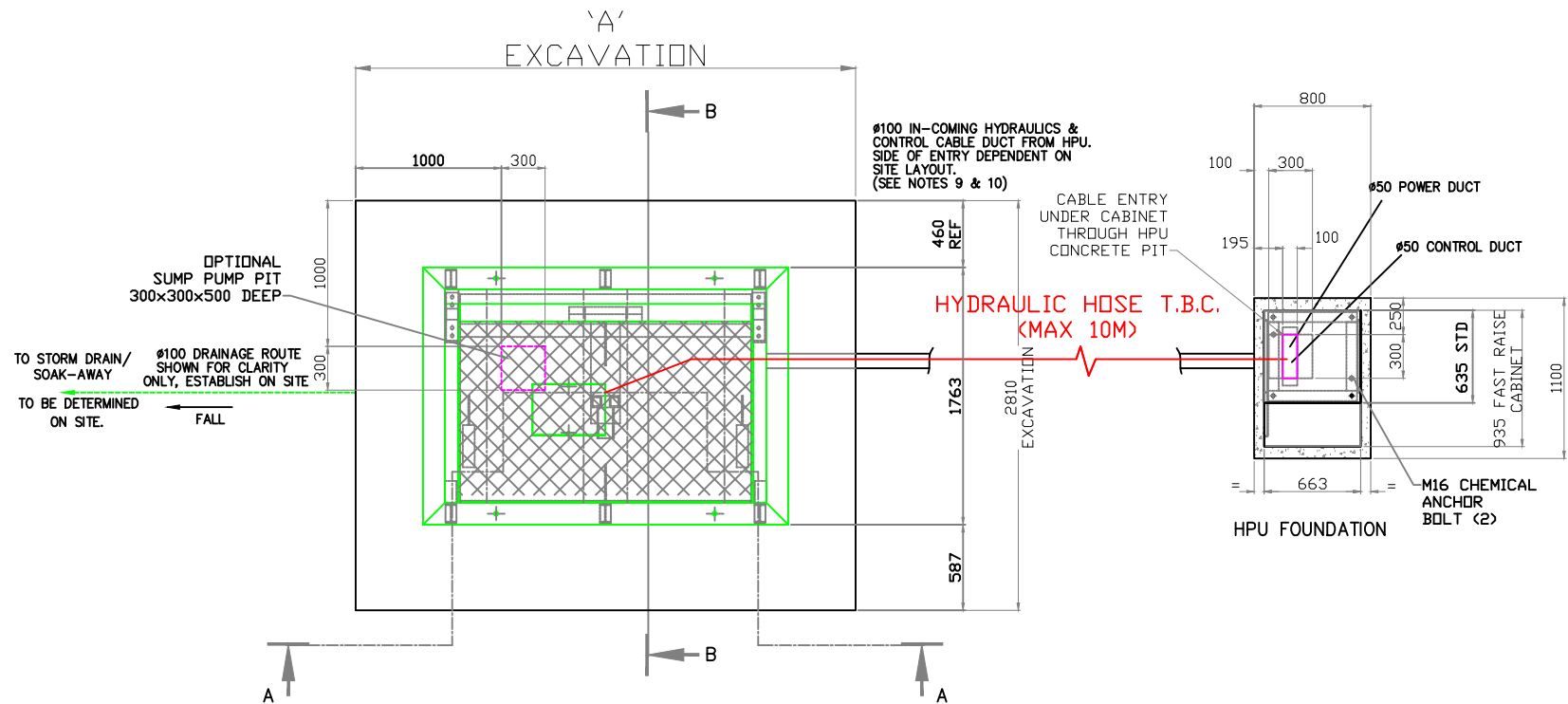


WEDGE WIDTH	DIM 'A'	DIM 'B'
2M	3430	2510
2.5	3930	3010
3M	4430	3510
3.5	4930	4010
4M	5430	4510
4.5	5930	5010
5M	6430	5510
5.5M	6930	6010
6M	7430	6510

NOTES:

1. ALL CONCRETE TO BE GRADE C35 UNLESS OTHERWISE SPECIFIED, AIR-ENTRAINED AT SURFACE.
2. THIS DRAWING IS TO BE READ IN CONJUNCTION WITH ALL RELEVANT ENGINEERS AND ARCHITECTS DRAWINGS AND SPECIFICATIONS.
3. REFER TO METHOD STATEMENT AND BLOCKER INSTALLATION MANUALS FOR FURTHER INFORMATION.
4. ALL OTHER INSTALLATION INFORMATION AS PER AVON BARRIER COMPANY INSTALLATION LITERATURE.
5. ALL CONDUIT/DUCTING #50 UNLESS SPECIFIED OTHERWISE.
6. ALL FOUNDATION LEVELS TO BE ESTABLISHED FROM FULL SITE SURVEY PRIOR TO COMMENCEMENT OF WORKS.
7. DRAINAGE TO BE IN ACCORDANCE WITH PREVAILING PROCEDURES AND INSTALLED TO INTERCEPT SOAKAWAY AS DIMENSIONED. SCUPPER TO BE POSITION AT LOWEST POINT.
8. ALL DUCTS TO BE CONSTRUCTED WITH DRAW ROPES.
9. ALL DUCTS TO BE A MIN. OF 500mm BELOW FINISHED ROAD SURFACE UNLESS OTHERWISE SPECIFIED AND MUST HAVE SMOOTH BENDS.
10. FOUNDATION TOP TO BE SLIGHTLY PROUD TO ALLOW 'RUN-OFF'.
11. CONCRETE THICKNESS TO BE 600mm.
12. BLOCKER IMPACT FACE TO BE FACING UNSECURE SIDE
13. WHERE EXISTING DRAINS / SERVICE DUCTS RUN BENEATH FOUNDATIONS SUITABLE PRECAUTIONS MUST BE TAKEN TO AVOID DAMAGE.
14. HPU POWER SUPPLY 3Pz 415V AC 50HZ 16AMP
15. HOSE SPECIFICATION SAE 100R2 AT, 3/8" DOUBLE BRAIDED.

-  FIRST POUR, PRE BLOCKER INSTALLATION. GRADE C35 CONCRETE
-  SECOND POUR, POST BLOCKER INSTALLATION. GRADE C35 CONCRETE



ISSUE	REVISION	SIG.	DATE
P	B DIM ROUNDED (+/- 2mm)	M.J	4/4/12
N	1737 DIMENSION DELETED 1763 DIMENSION ADDED ANGLE TOP AND BOTTOM NOTE ADDED	M.J	2/4/14
M	1737 DIMENSION ADDED	M.J	24/2/12
L	HPU CHEMICAL ANCHORS ADDED	M.J	19/4/11
K	DIM B + 300	M.J	28/09/09
J	HPU CABINET ADDED	PhJ	21/06/07
H	OPTIONAL SUMP PUMP ADDED	M.J	6/06/06
G	300 HPU FOUNDATION WAS 800	M.J	12/06/05
F	2810 WAS 2650	M.J	21/06/05
E	SHEET 2 DELETED	M.J	1/04/05
D	DRAWING MOD TO 2 PAGES	PhJ	6/01/05
C	FOOTPLATE NOTE ADDED, DUCT POSITION	SE	12/5/04
B	BASE EXTENDED 50mm FOR ANTI ROLL	SE	9/9/03

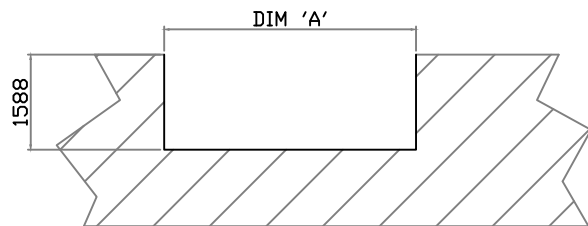
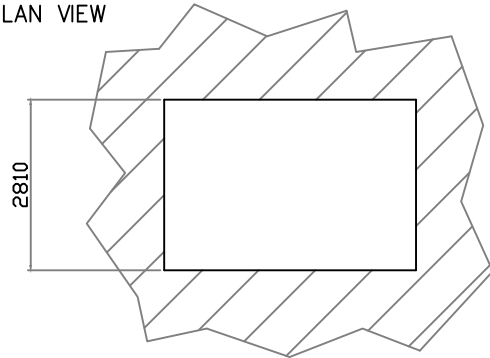

Avon Barrier Corporation Ltd.
 149 South Liberty Lane,
 Ashton Vale Trading Est.
 Bristol, BS3 2TL,
 UK.
 T: +44 (0)117 953 5252
 E: technical@avon-barrier.co.uk
 W: www.avon-barrier.co.uk

Drawing Title
RB780 'CHEFTAIN' CR
 800 NOMINAL LIFT
 ROAD BLOCKER
 GENERAL/FOUNDATION DETAILS

Drawn	Traced	Checked	Approved	Date	Scale
SE				4/03	NTS
Drawing No.	Sht.	of	Rev.		
RB780-6-001	1	1	P		

STAGE 1
EXCAVATE TO THE SIZES SHOWN
ON FOUNDATION DRAWING
RB780-6-001
COMPACT AND LEVEL BASE.

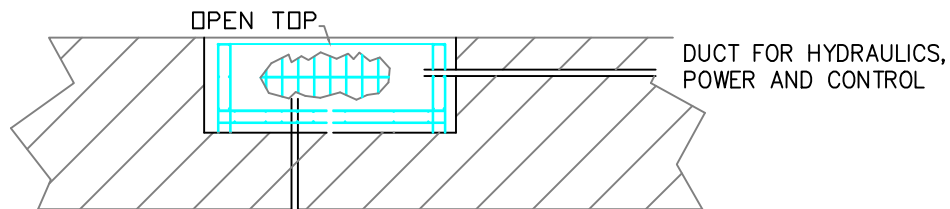
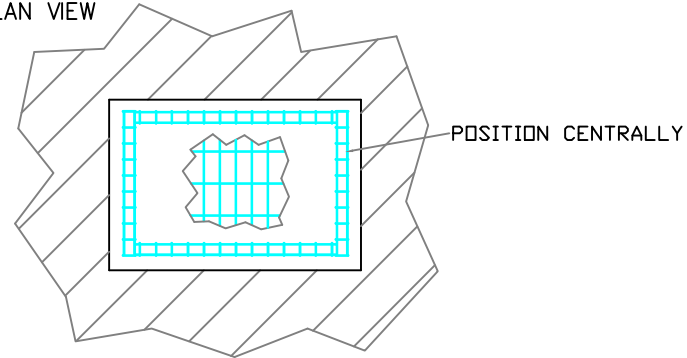
PLAN VIEW



SIDE ELEVATION

STAGE 2
PLACE REBAR CAGE INTO POSITION,
BRING DUCT AND DRAINAGE
TO THE CORRECT POSITIONS
SEE DRAWING 780-1-14

PLAN VIEW

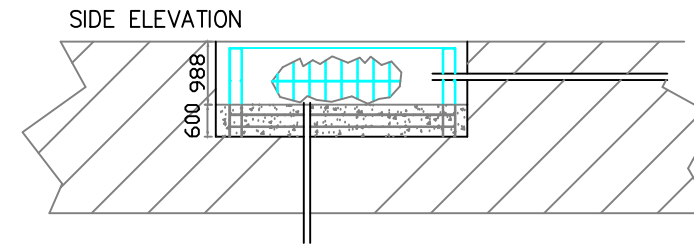
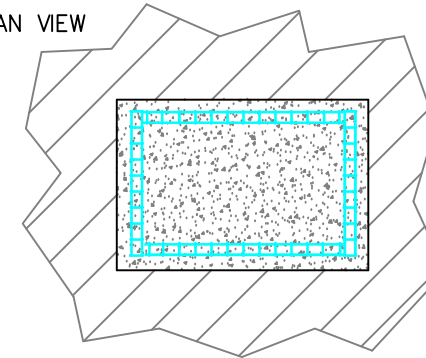


SIDE ELEVATION

BLOCKER DRAINAGE
PIPE
(SEE NOTE 7 ON DRAWING RB780-6-001)

STAGE 3
FIRST POUR, ENSURE IT IS AT THE
CORRECT DEPTH FROM FINISHED
FLOOR LEVEL, TAMP TO REMOVE AIR BUBBLES.
TROWEL TO A FLAT AND LEVEL FINISH TO SUIT
CAMBER OF ROAD.

PLAN VIEW

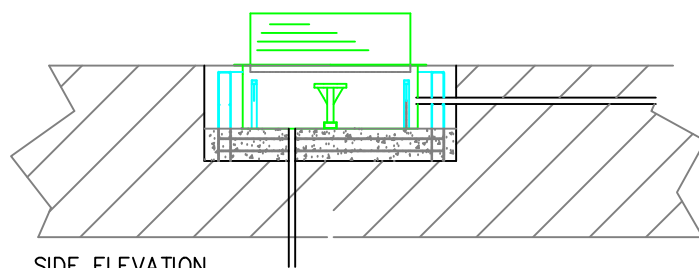
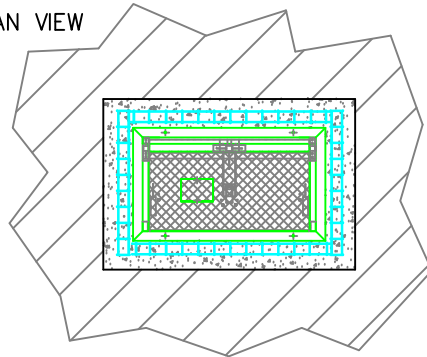


SIDE ELEVATION

NOTES.
DRAWING MUST BE READ
IN CONJUNCTION WITH
RB780-6-001
(FOUNDATION DRAWING)
AND
RB780-1-14 (REBAR DRAWING)

STAGE 4
ORIENTATE BLOCKER WITH THE FRONT OF
WEDGE FACING THE REQUIRED DIRECTION.
(CURVED FACE TO INSECURE SIDE)
ENSURE THE BLOCKER IS SITTING FLAT AND LEVEL
AND THAT IT IS PARALLEL TO THE ROAD.

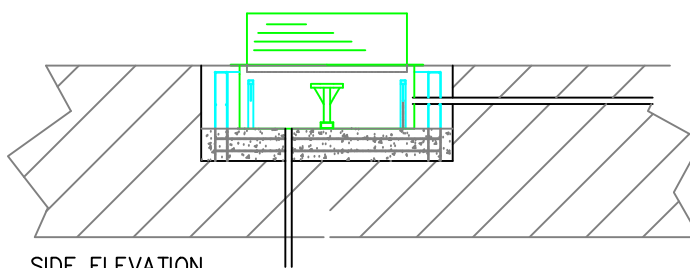
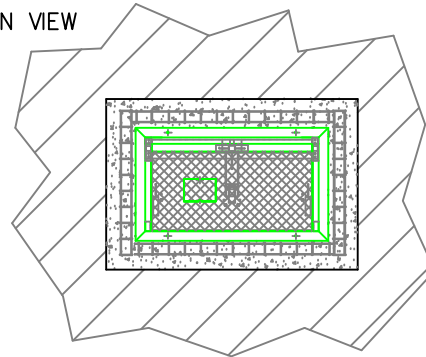
PLAN VIEW



SIDE ELEVATION

STAGE 5
TERMINATE DUCTING INTO BLOCKER AND SEAL OFF.
POUR CONCRETE AROUND BLOCKER UP TO THE
UNDERSIDE OF THE TOP FRAME ANGLE
ENSURE BLOCKER DOES NOT MOVE DURING SECOND POUR.

PLAN VIEW



SIDE ELEVATION

		DIM 'A'
WEDGE WIDTH	2M	3430
	2.5	3930
	3M	4430
	3.5	4930
	4M	5430
	5M	6430

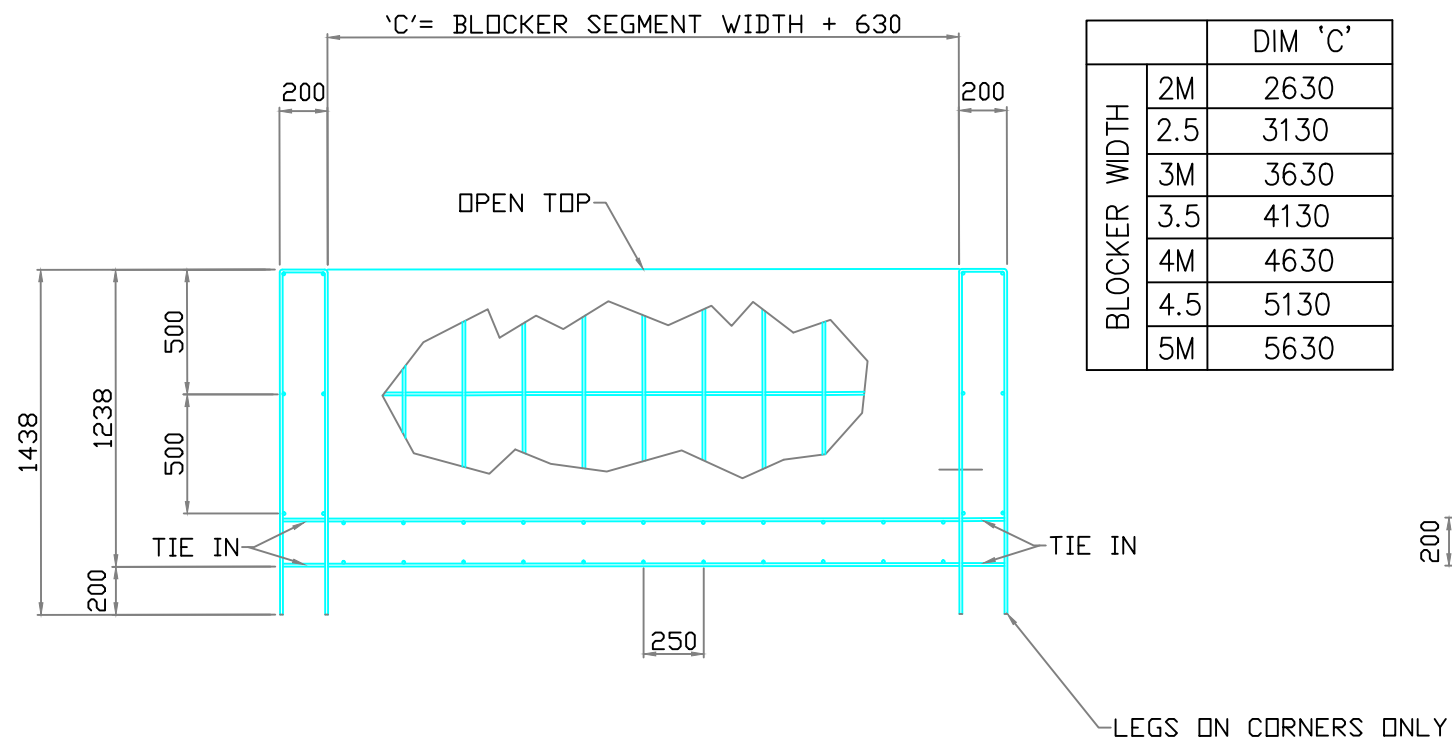
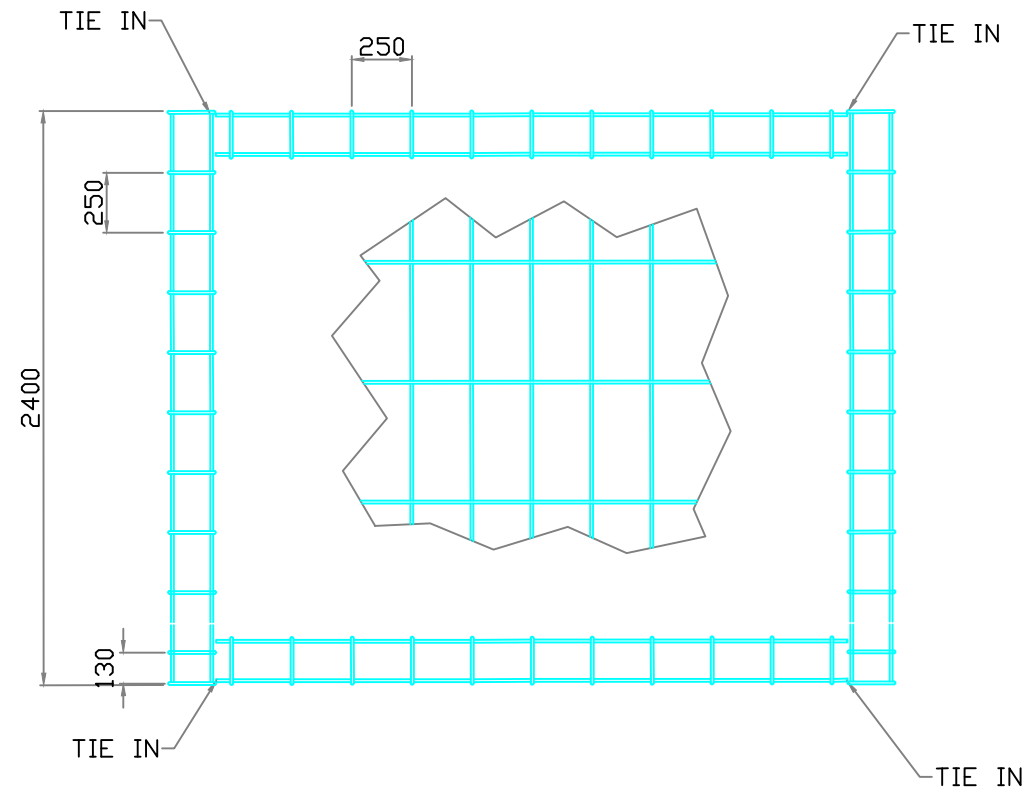


Avon Barrier Corporation Ltd.
149 South Liberty Lane,
Ashton Vale Trading Est.
Bristol,
BS3 2TL
UK.
T: +44 (0)117 953 5252
E: technical@avon-barrier.co.uk
W: www.avon-barrier.co.uk

ISSUE	REVISION	SIG.	DATE
E	6 OFF CHEMI ANCHORS DELETED	M.J	25/4/13
D	STAGE 4 X NOTE ADDED	M.J	1/2/07
C	2810 WAS 2650	M.J	26/1/07
B	ADDING DIMS	SE	6/01/05
A	MANUFACTURE	SE	26/1/04

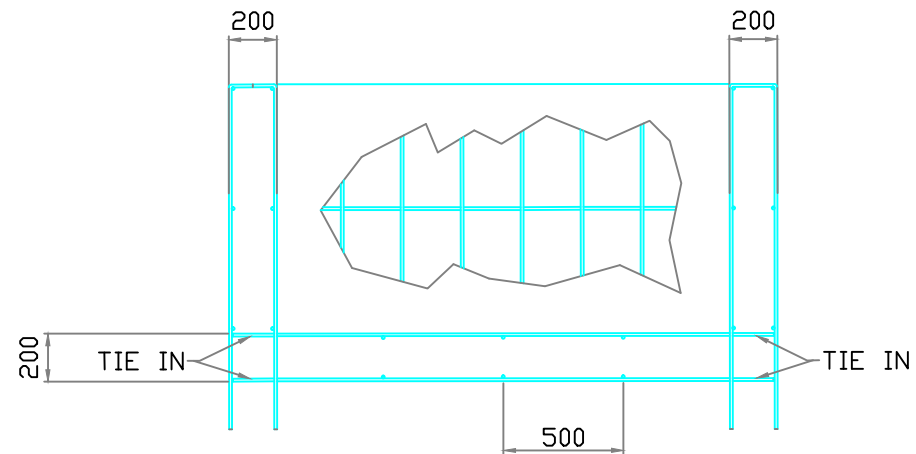
Drawing Title
**INSTALLATION
SEQUENCE
FOR ROAD
BLOCKERS**

3rd ANGLE PROJECTION	AS PER ABOVE	Used on RB780 CR	Drawn SE	Traced	Checked	Approved	Date 1/04	Scale NTS
IF IN DOUBT ASK	COMPUTER GENERATED DO NOT ALTER BY HAND	Material C35 CONCRETE Ø12 RE-BAR	Finish TROWELLED + FLAT ON CONCRETE	Drawing No. RB780-6-002	Sht. 1	of 1	Rev. E	



		DIM 'C'
BLOCKER WIDTH	2M	2630
	2.5	3130
	3M	3630
	3.5	4130
	4M	4630
	4.5	5130
5M	5630	

RB780-1-25 SCHEDULE AVAILABLE ON REQUEST



Avon Barrier Corporation Ltd.
149 South Liberty Lane,
Ashton Vale Trading Est.
Bristol.
BS3 2TL
UK.
T: +44 (0)117 953 5252
E: technical@avon-barrier.co.uk
W: www.avon-barrier.co.uk

ISSUE	REVISION	SIG.	DATE
E	H10 ADDED	M.J	9/7/12
D	SCHEDULE RB780-1-25	M.J	10/10/08
C	SCHEDULES ADDED	M.J	12/2/08
B	2400 WAS 2260	M.J	21/6/05

Drawing Title

RB780 'CHIEFTAIN' CR
800 NOMINAL LIFT
ROAD BLOCKER
RE BAR SCHEDULE

3rd ANGLE PROJECTION	Tolerance	Used on	Drawn	Traced	Checked	Approved	Date	Scale
		RB780 'CHIEFTAIN' CR	SE				1/04	1:15
IF IN DOUBT ASK	COMPUTER GENERATED DO NOT ALTER BY HAND	Material	Finish	Drawing No.	Sht.	of	Rev.	
		H10 REBAR		RB780-1-14	1	1	E	