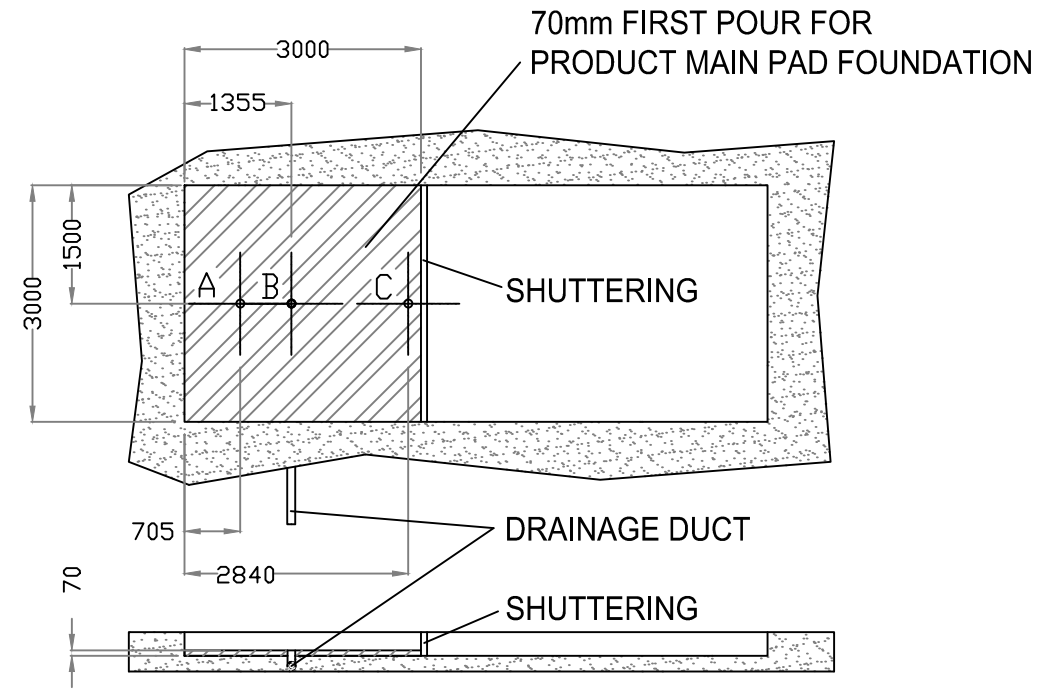
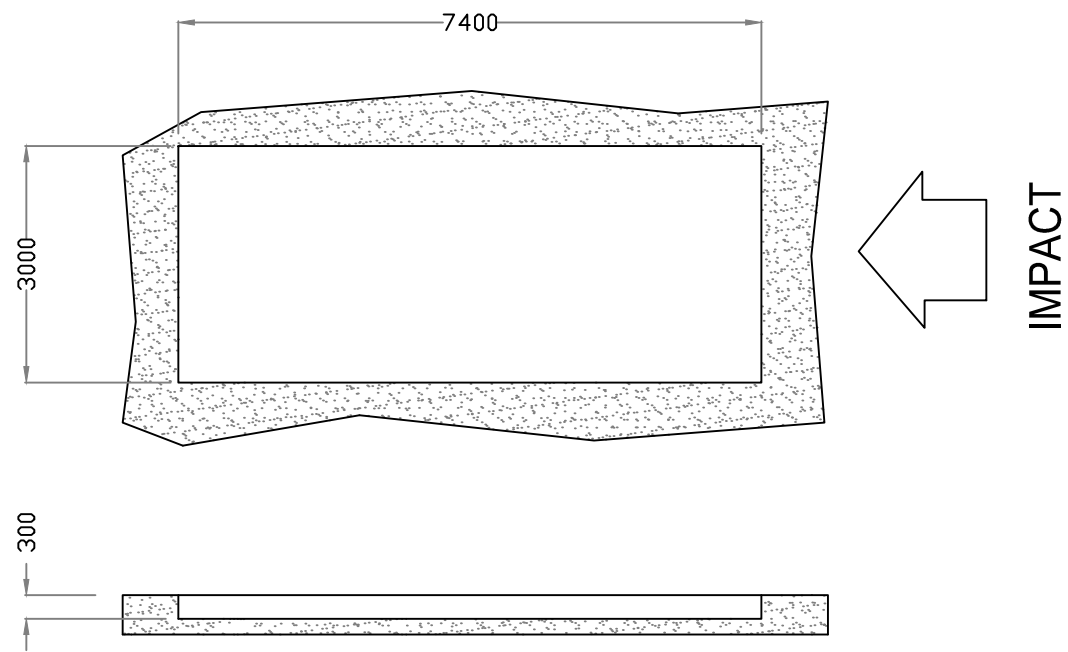


RB880CR FOUNDATION AND INSTALLATION DETAILS
SHEET NUMBER 1 OF 4



GENERAL RULES FOR PRODUCT INSTALLATION AND MATERIALS USED WILL BE IN ACCORDANCE WITH BS EN 1992-1-1 "EUROCODE 2".

CONCRETE TO BE IN ACCORDANCE WITH BS EN 206-1 "CONCRETE SPECIFICATION, PERFORMANCE, PRODUCTION & CONFORMITY".

CONCRETE MIX GRADE IS C35, 20 AGGREGATE & 50 SLUMP.

SOIL BEARING CAPACITY MUST ACHIEVE 150KPa MINIMUM.

REINFORCING BAR IS IN ACCORDANCE WITH BS EN 4449 AND USED IN CONJUNCTION WITH BS EN 100080.

REINFORCING BAR GRADE IS 500MPa YIELD STRENGTH, NOTATION "H".

REINFORCING MESH FABRIC IS A193, 200mm SQ WITH 7mm WIRE.

1. CLEAR THE AREA DESIGNATED FOR THE PRODUCT FOUNDATIONS.

EXCAVATE 3M WIDE x 7.4M LONG x 300mm DEEP.

2. POSITION THE PRODUCT DRAINAGE DUCT. THE DUCT CAN BE POSITIONED AT A, B, OR C TO SUIT SITE LAYOUT.
3. LEVEL OFF AND CHECK SOIL BEARING CAPACITY.
4. SHUTTER AND POUR CONCRETE 3M SQ x 70mm DEEP. THIS FIRST POUR IS THE PRODUCT MAIN PAD FOUNDATION.
5. LEAVE TO CURE THEN REMOVE SHUTTERING.

Drawing Title
**RB880CR
 INSTALLATION**

Drawn	Traced	Checked	Approved	Date
M.J.	N/A	M.P.H.	M.P.H.	10/11/07

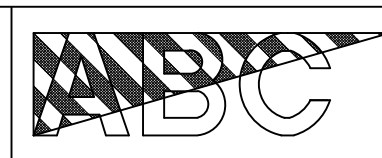
Drawing No.
RB880_1_07

Scale	Sht.	of	Rev.
NTS	1	4	C

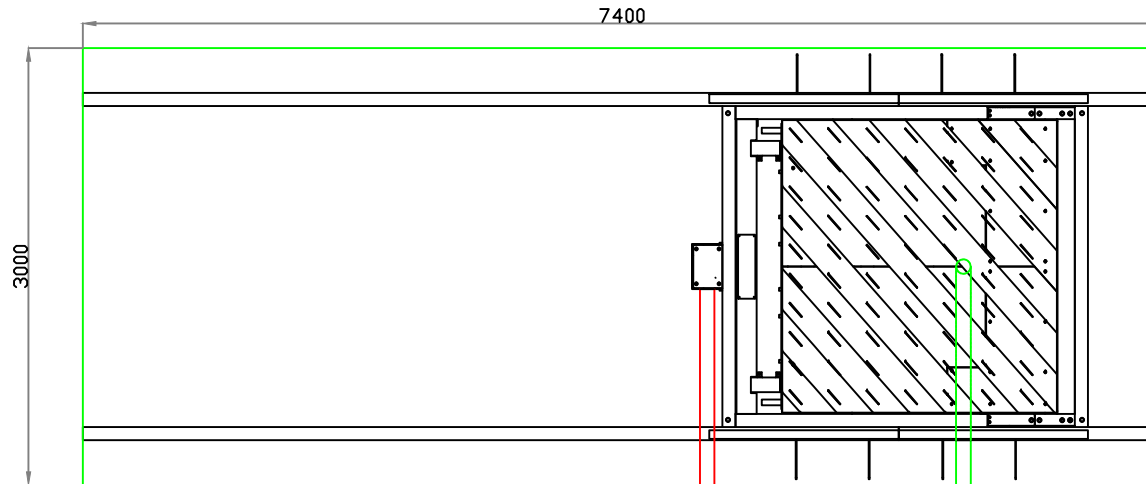
ISSUE	REVISION	SIG.	DATE
C	O/A DRAWING STYLE UPDATE	M.P.H.	01/08/13
B	WAS AUTOCAD	M.J.	19/02/09

This document has been provided for the sole use of the recipient. This document may not be copied, amended or given to any person outside of the project team without written consent of Avon Barrier Company Limited.

Avon Barrier Corporation Ltd.
 149 South Liberty Lane,
 Ashton Vale Trading Est.
 Bristol.
 BS3 2TL
 UK.
 T: +44 (0)117 953 5252
 E: technical@avon-barrier.co.uk
 W: www.avon-barrier.co.uk



Tolerances	Used on
N/A	N/A
Material	Finish
N/A	N/A

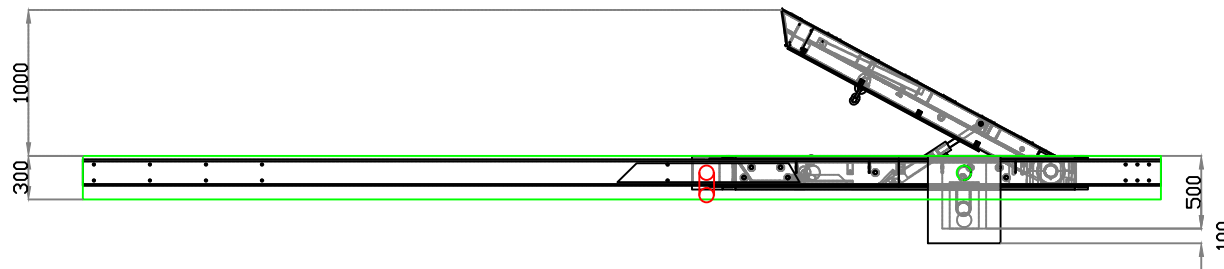
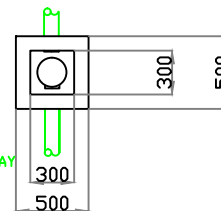


Ø100 HYDRAULIC HOSES

Ø100 DRAINAGE DUCTS

SUMP
PIT

Ø100 SOAKAWAY



NOTES:

1. ALL CONCRETE TO BE GRADE C35 UNLESS OTHERWISE SPECIFIED, AIR-ENTRAINED AT SURFACE.
2. THIS DRAWING IS TO BE READ IN CONJUNCTION WITH ALL RELEVANT ENGINEERS AND ARCHITECTS DRAWINGS AND SPECIFICATIONS.
3. REFER TO METHOD STATEMENT AND BLOCKER INSTALLATION MANUALS FOR FURTHER INFORMATION.
4. ALL OTHER INSTALLATION INFORMATION AS PER AVON BARRIER COMPANY INSTALLATION LITERATURE.
5. ALL FOUNDATION LEVELS TO BE ESTABLISHED FROM FULL SITE SURVEY PRIOR TO COMMENCEMENT OF WORKS.
6. DRAINAGE TO BE IN ACCORDANCE WITH PREVAILING PROCEDURES AND INSTALLED TO INTERCEPT SOAKAWAY AS DIMENSIONED. SCUPPER TO BE POSITION AT LOWEST POINT.
7. ALL DUCTS TO BE CONSTRUCTED WITH DRAW ROPES.
8. FOUNDATION TOP TO BE SLIGHTLY PROUD TO ALLOW 'RUN-OFF'.
9. WHERE EXISTING DRAINS / SERVICE DUCTS RUN BENEATH FOUNDATIONS SUITABLE PRECAUTIONS MUST BE TAKEN TO AVOID DAMAGE.
10. HPU POWER SUPPLY 3P+ 415V AC 50HZ 16AMP



GRADE C35 CONCRETE

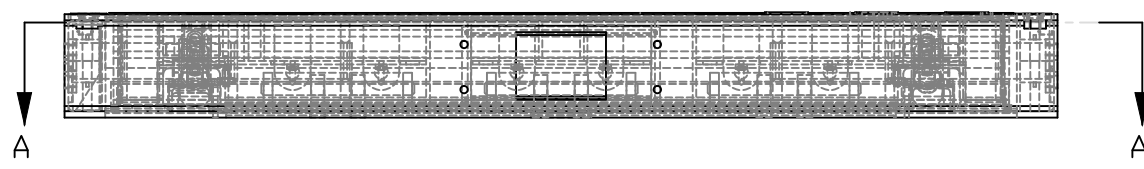
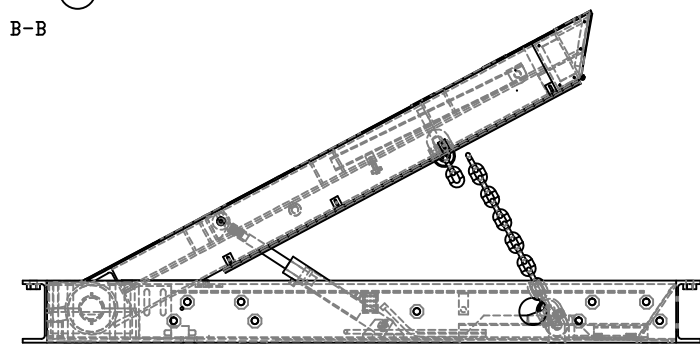
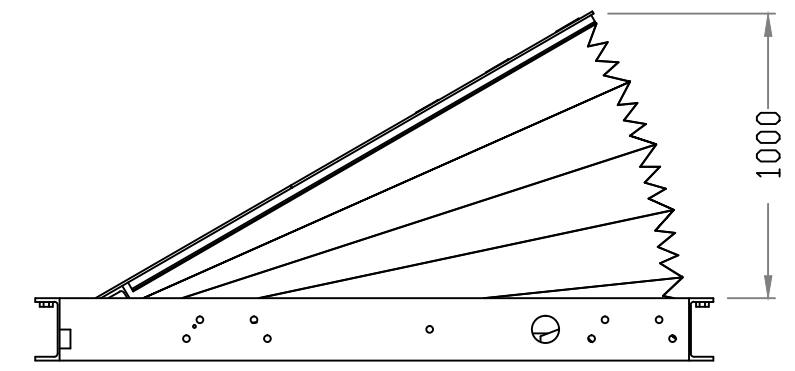
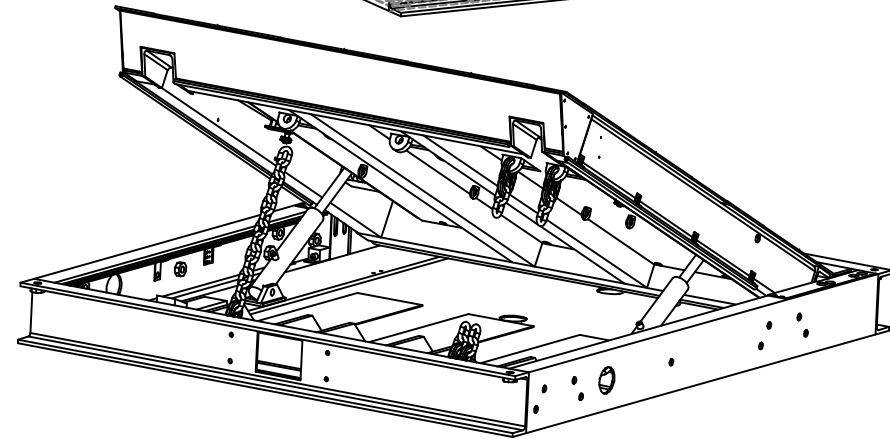
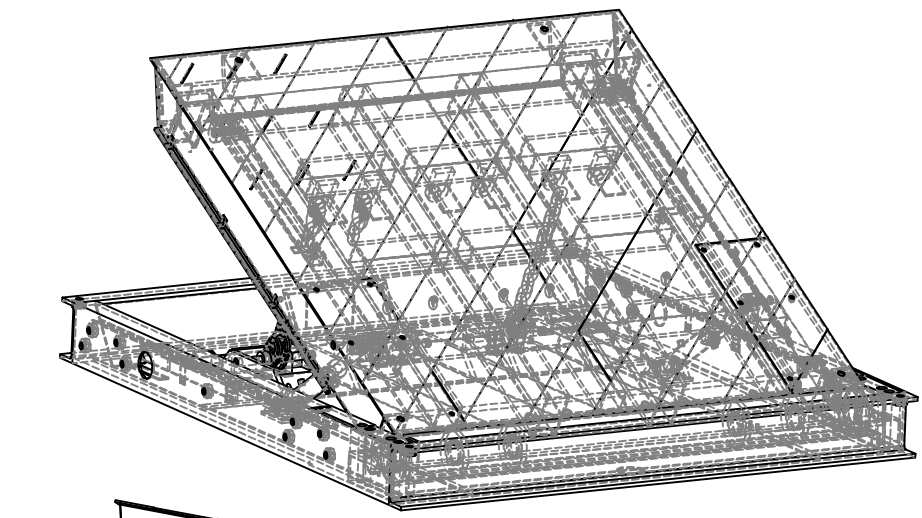
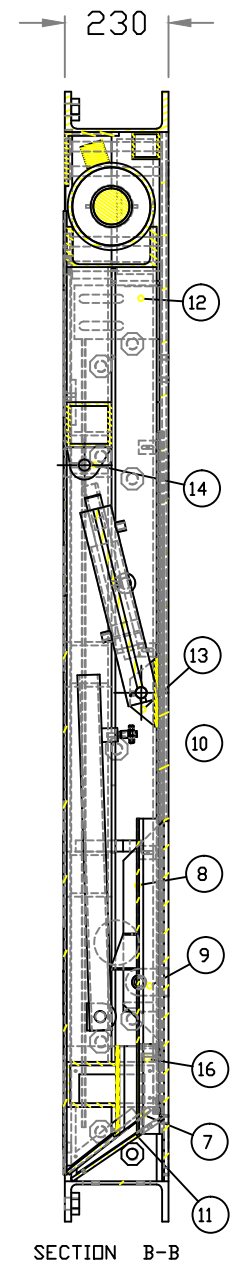
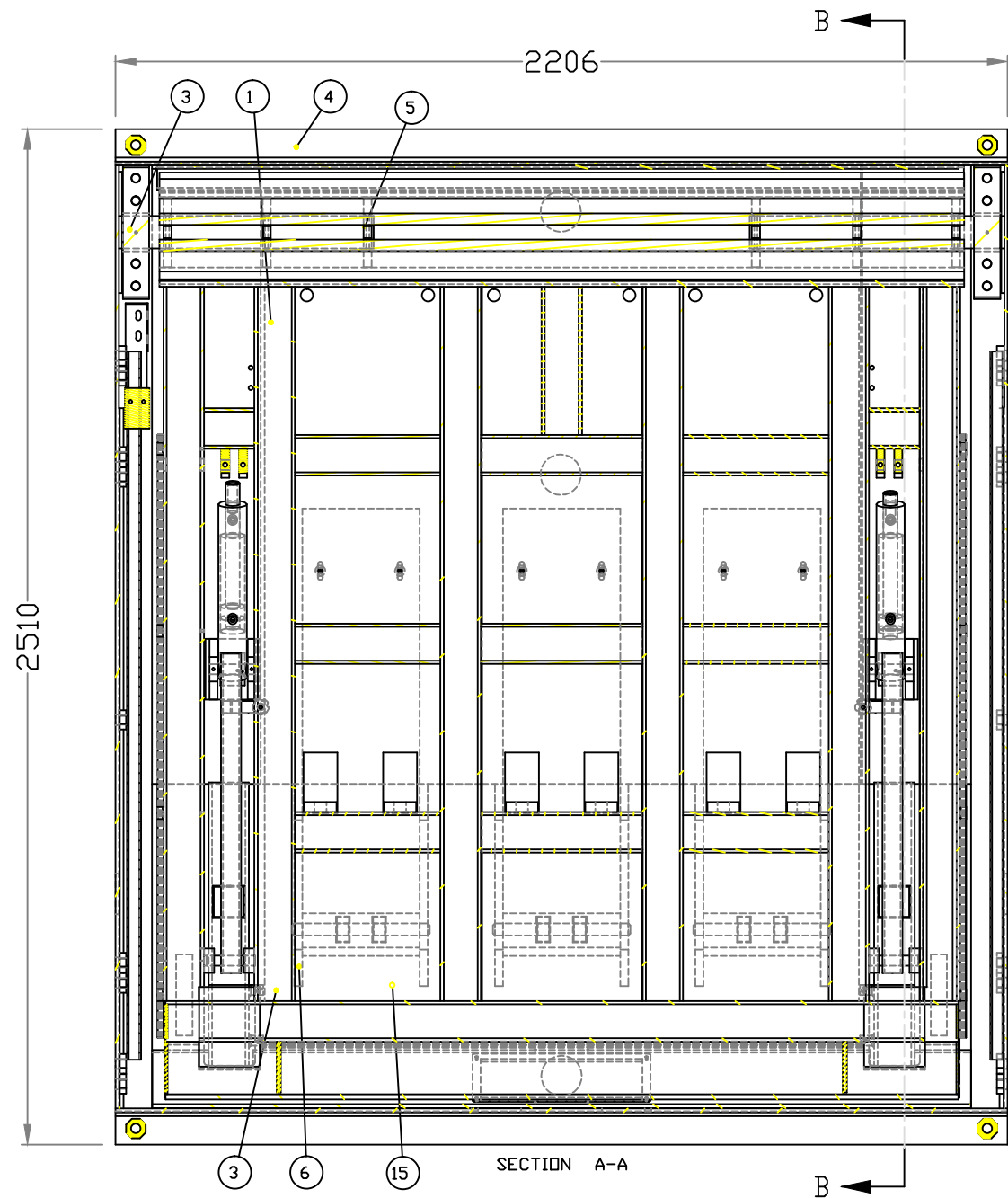


Avon Barrier Corporation Ltd.
149 South Liberty Lane,
Ashton Vale Trading Est.
Bristol.
BS3 2TL.
UK.
T: +44 (0)117 953 5252
E: technical@avon-barrier.co.uk
W: www.avon-barrier.co.uk

Drawing Title

RB880CR
SHALLOW
BLOCKER
SUMP PIT

ISSUE	REVISION	SIG.	DATE	M.J	Traced	Checked	Approved	Date
								11/07
Tolerances				Drawing No.				
3rd ANGLE PROJECTION				RB880-102				
Material				Scale				
IF IN DOUBT ASK				Sht. 1 of 1				Rev. A
COMPUTER GENERATED DO NOT ALTER BY HAND								



6 OFF CHAINS NOT SHOWN,
SHALLOW FOUNDATION CHANNELS
AND MANHOLE BOX NOT SHOWN.

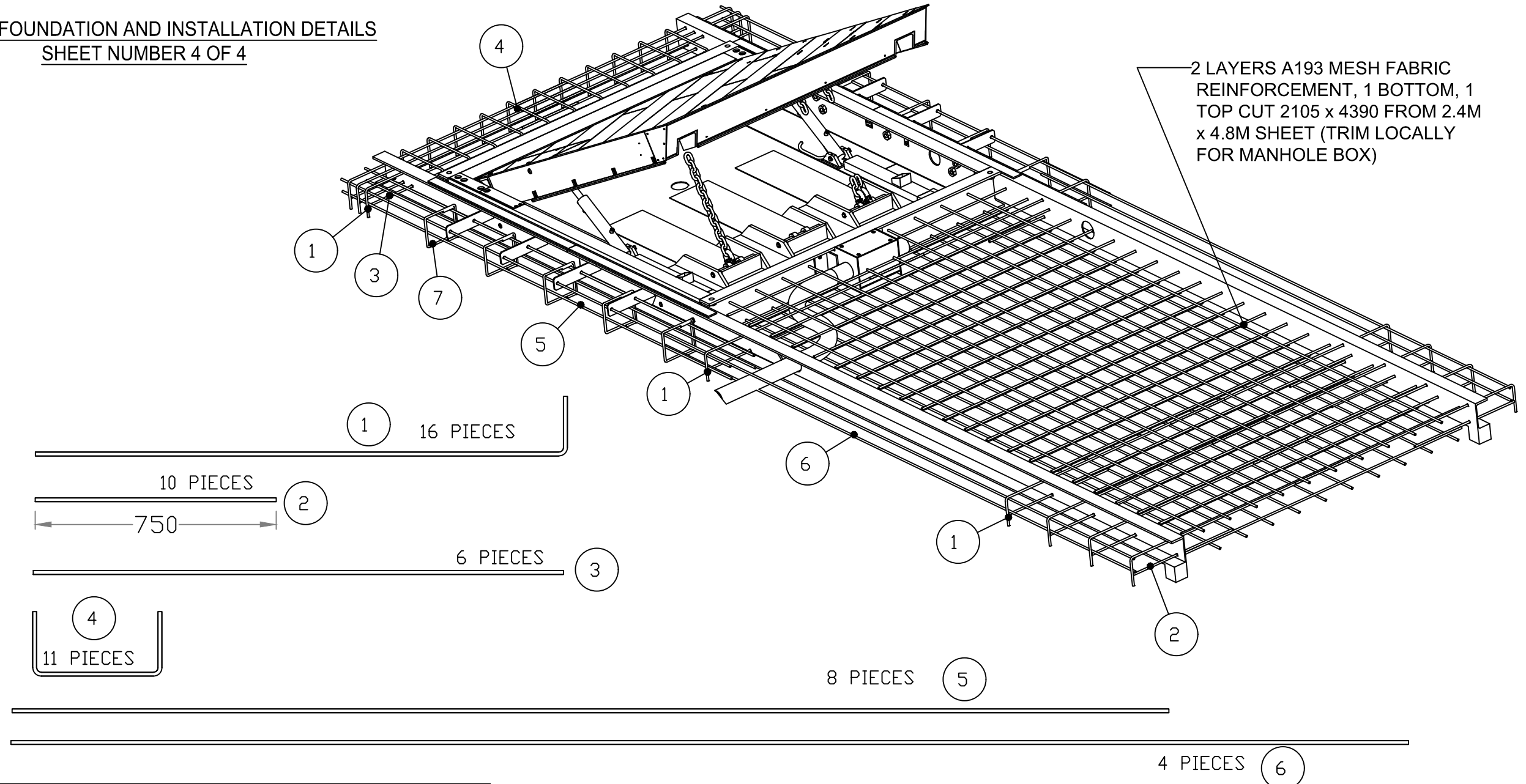
Avon Barrier Corporation Ltd.
149 South Liberty Lane,
Ashton Vale Trading Est.
Bristol.
BS3 2TL
UK.
T: +44 (0)117 953 5252
E: technical@avon-barrier.co.uk
W: www.avon-barrier.co.uk

Drawing Title
**RB880CR
ASSEMBLY**

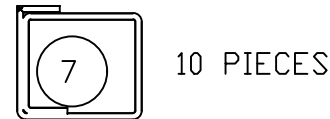
E	ITEMS ADDED	M.J	6/11/07
D	OUTER CHANNELS BOLTED	M.J	5/10/06
ISSUE	REVISION	SIG	DATE

3rd ANGLE PROJECTION	±0.3mm, ±0.5°	Drawn on	M.J	PhJ	1/06
IF IN DOUBT ASK	COMPUTER GENERATED DO NOT ALTER BY HAND	Material	M.S. BSEN 10025:1 2004 BSEN 10219-1:1997 BSEN 10029:1991	Finish	RB880CR
		Drawn	RB880_100	1	2
		Check			E

RB880CR FOUNDATION AND INSTALLATION DETAILS
SHEET NUMBER 4 OF 4



ITEM	SIZE	NO.	LENGTH	SHAPE	A	B	C	D
7	H 8	10	925	51	225	190	80	<80>
6	H 10	4	4350	00				
5	H 10	8	3600	00				
4	H 8	11	750	21	195	390	<195>	
3	H 10	6	1650	00				
2	H 10	10	750	00				
1	H 10	16	1825	11	180	<1650>		

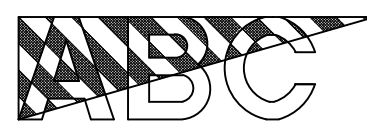


Drawing Title				
RB880CR INSTALLATION				
Drawn	Traced	Checked	Approved	Date
M.J.	N/A	M.P.H.	M.P.H.	10/11/07
Drawing No.				
RB880_1_07				
Scale	Sht.	of	Rev.	
NTS	4	4	C	

ISSUE	REVISION	SIG.	DATE
C	O/A DRAWING STYLE UPDATE	M.P.H.	01/08/13
B	WAS AUTOCAD	M.J.	19/02/09

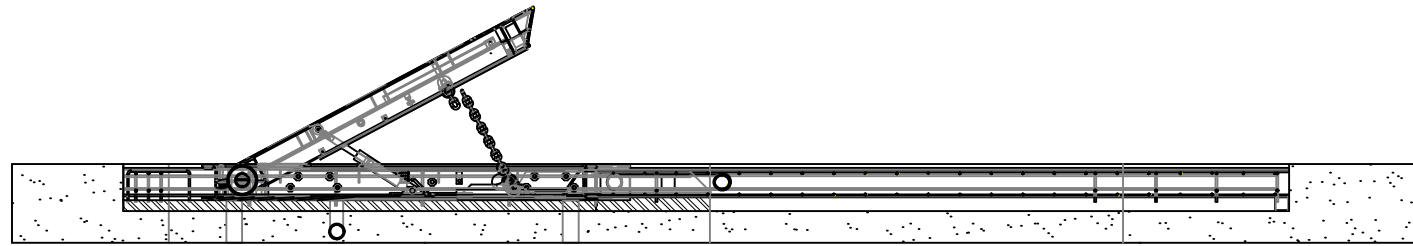
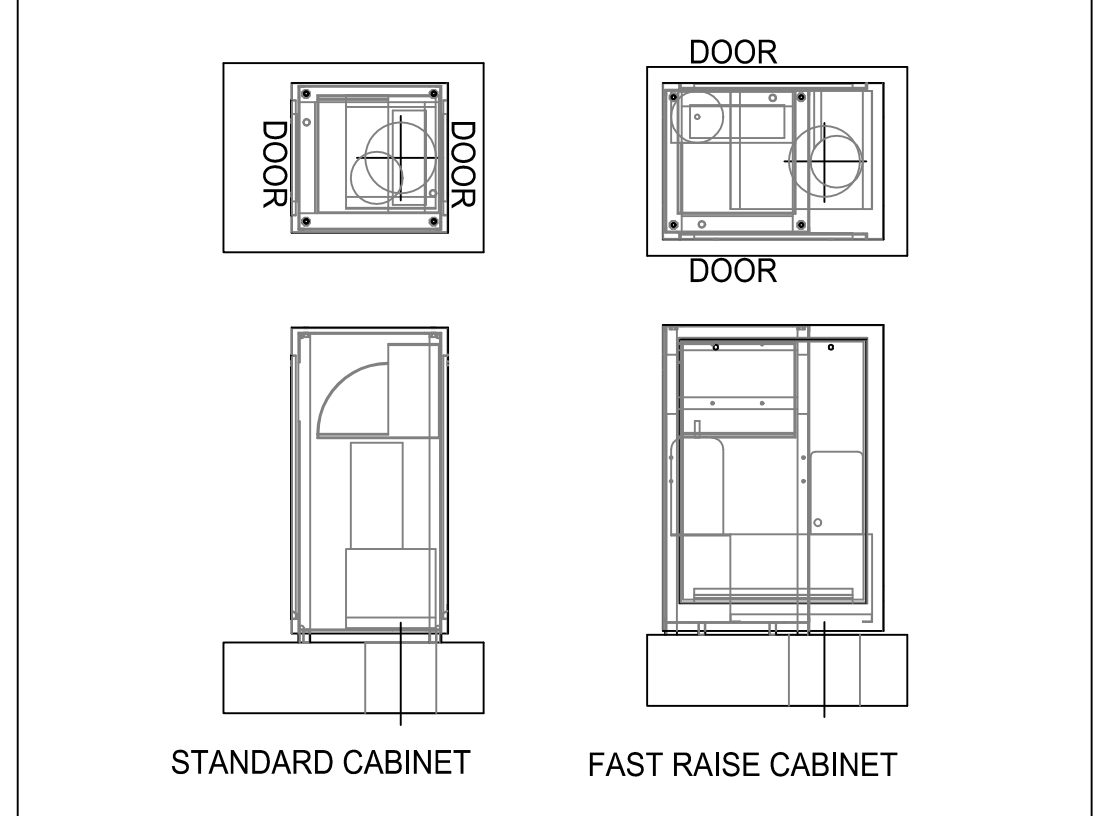
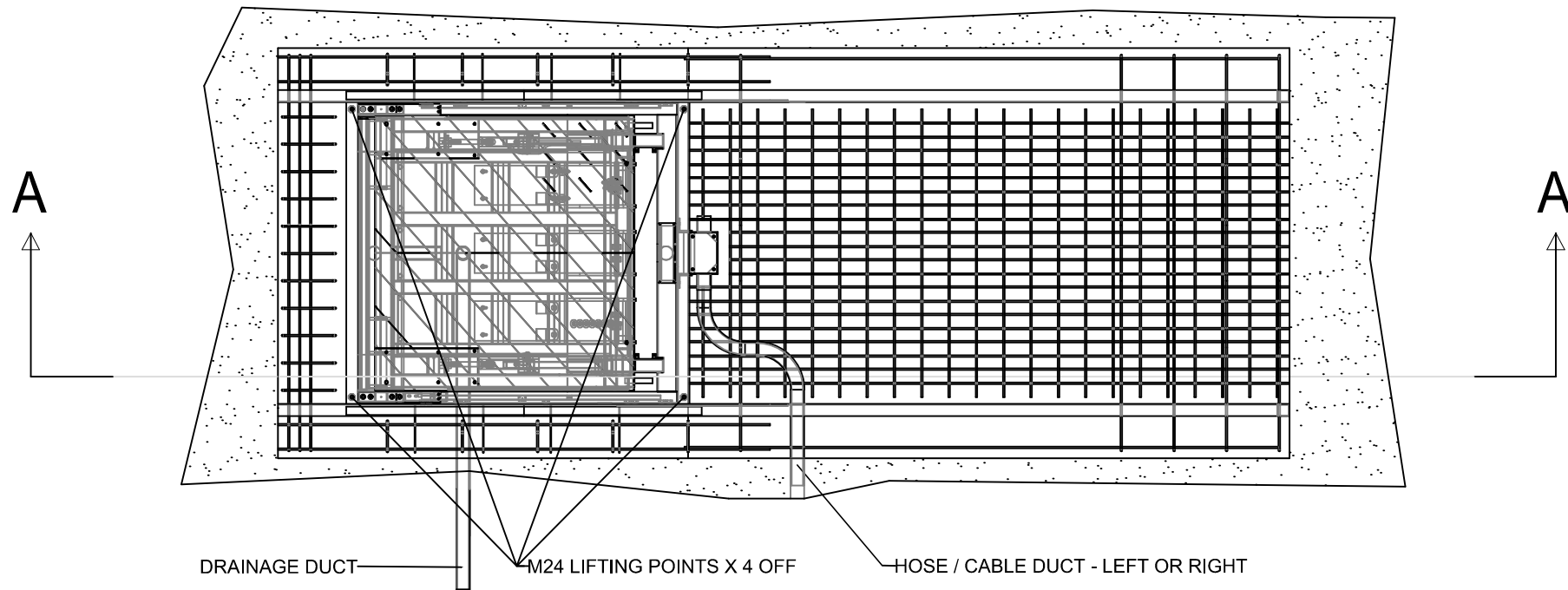
This document has been provided for the sole use of the recipient. This document may not be copied, amended or given to any person outside of the project team without written consent of Avon Barrier Company Limited.

Avon Barrier Corporation Ltd.
149 South Liberty Lane,
Ashton Vale Trading Est.
Bristol.
BS3 2TL.
UK.
T: +44 (0)117 953 5252
E: technical@avon-barrier.co.uk
W: www.avon-barrier.co.uk



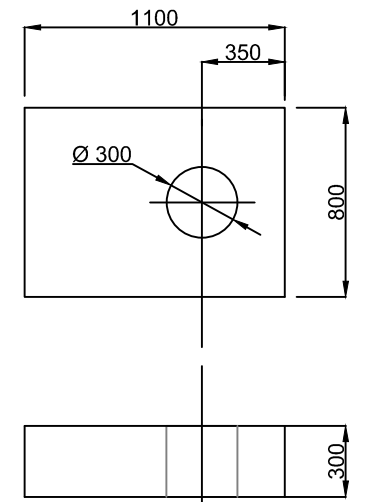
Tolerances	N/A	Used on	N/A
Material	N/A	Finish	N/A

RB880CR FOUNDATION & INSATALLATION DETAILS
SHEET NUMBER 3 OF 4



SECTION A-A

7. LIFT THE PRODUCT WITH ITS FIXED SIDES AND FOUNDATION CHANNEL INTO THE FOUNDATION AREA ENSURING THE ROAD BLOCKER IS LOCATED CENTRALLY OVER THE MAIN PAD FOUNDATION..
8. ADD REBAR (REF, RB880CR_1_07 SHEET 4).
9. INSTALL HOSE / CABLE DUCT.
10. POUR C35 CONCRETE AROUND THE UNIT TO FINISH LEVEL.
11. CONSTRUCT FOUNDATION FOR HPU CABINET. HPU SHOULD BE MOUNTED WITHIN 8 METRES FROM THE FRONT OF THE BLOCKER.
12. WHEN CURED, PULL CABLES AND HYDRAULIC HOSES THROUGH DUCTS TO HPU BASE.
13. FIX HPU TO PREPARED BASE WITH M12 CHEMICAL ANCHOR BOLTS.



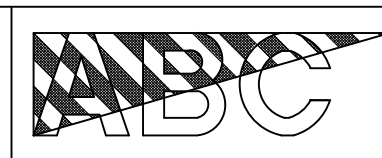
HPU FOUNDATION

Drawing Title				
RB880CR INSTALLATION				
Drawn	Traced	Checked	Approved	Date
M.J.	N/A	M.P.H.	M.P.H.	10/11/07
Drawing No.				
RB880_1_07				

C	O/A DRAWING STYLE UPDATE	M.P.H.	01/08/13
B	WAS AUTOCAD	M.J.	19/02/09
ISSUE	REVISION	SIG.	DATE

This document has been provided for the sole use of the recipient. This document may not be copied, amended or given to any person outside of the project team without written consent of Avon Barrier Company Limited.

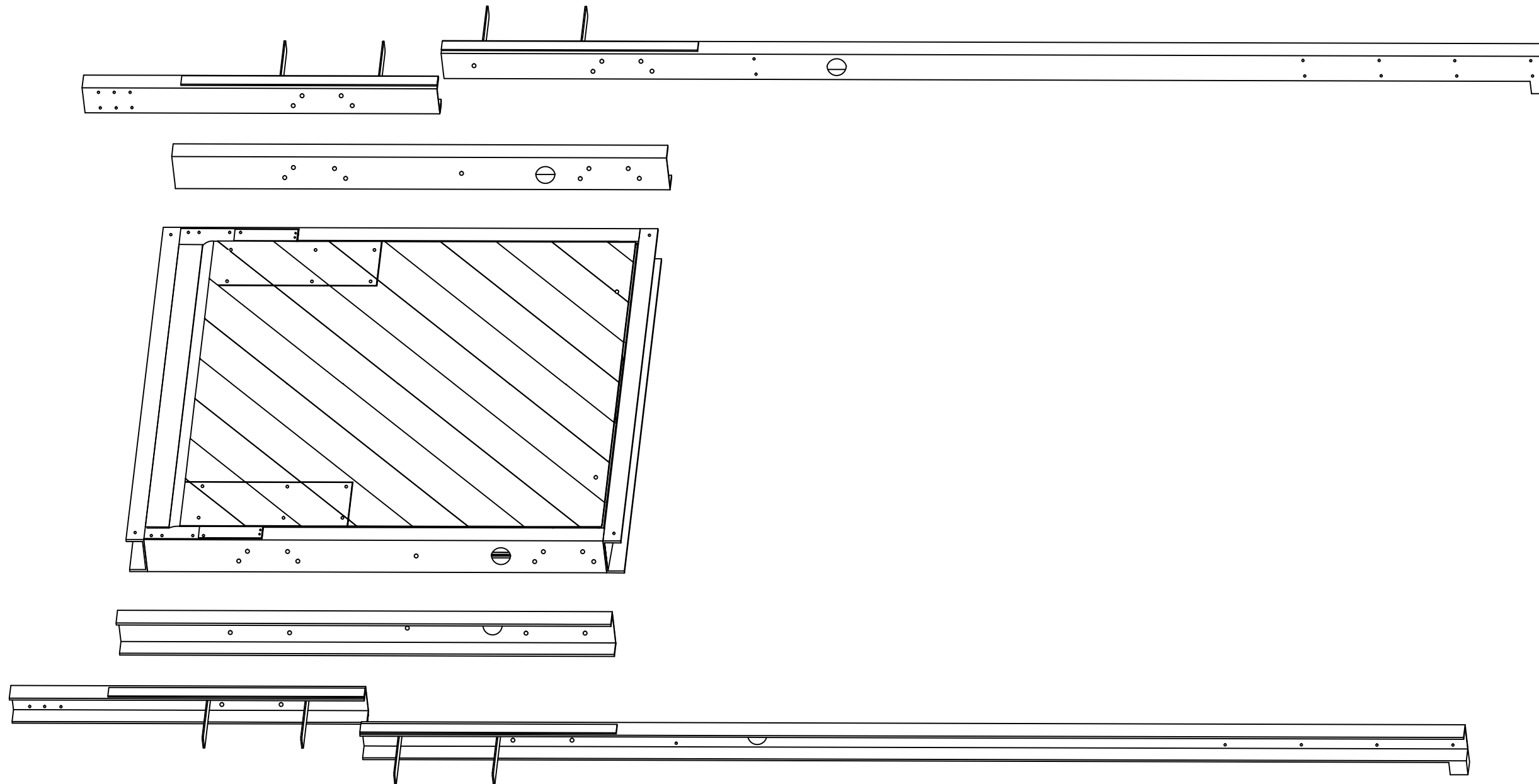
Avon Barrier Corporation Ltd.
149 South Liberty Lane,
Ashton Vale Trading Est.
Bristol,
BS3 2TL.
UK.
T: +44 (0)117 953 5252
E: technical@avon-barrier.co.uk
W: www.avon-barrier.co.uk



Tolerances	N/A	Used on	N/A
Material	N/A	Finish	N/A

Scale	Sht.	of	Rev.
NTS	3	4	C

RB880CR FOUNDATION AND INSTALLATION DETAILS
SHEET NUMBER 2 OF 4



6. ASSEMBLE BLOCKER SIDES & FOUNDATION CHANNELS BEFORE LIFTING INTO THE FOUNDATION AREA

Drawing Title				
RB880CR INSTALLATION				
Drawn	Traced	Checked	Approved	Date
M.J.	N/A	M.P.H.	M.P.H.	10/11/07

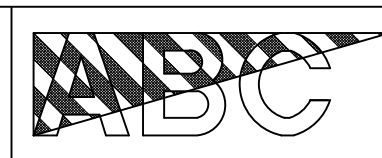
Drawing No.				
RB880_1_07				

Scale	Sht.	of	Rev.
NTS	2	4	C

C	O/A DRAWING STYLE UPDATE	M.P.H.	01/08/13
B	WAS AUTOCAD	M.J.	19/02/09
ISSUE	REVISION	SIG.	DATE

This document has been provided for the sole use of the recipient. This document may not be copied, amended or given to any person outside of the project team without written consent of Avon Barrier Company Limited.

Avon Barrier Corporation Ltd.
 149 South Liberty Lane,
 Ashton Vale Trading Est.
 Bristol.
 BS3 2TL.
 UK.
 T: +44 (0)117 953 5252
 E: technical@avon-barrier.co.uk
 W: www.avon-barrier.co.uk



Tolerances	N/A	Used on	N/A
Material	N/A	Finish	N/A