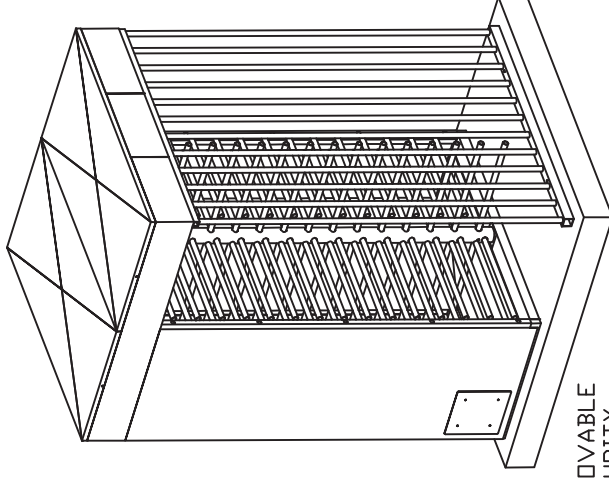
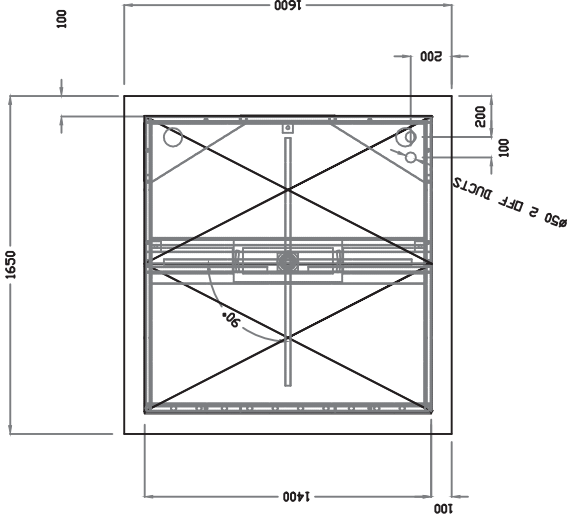


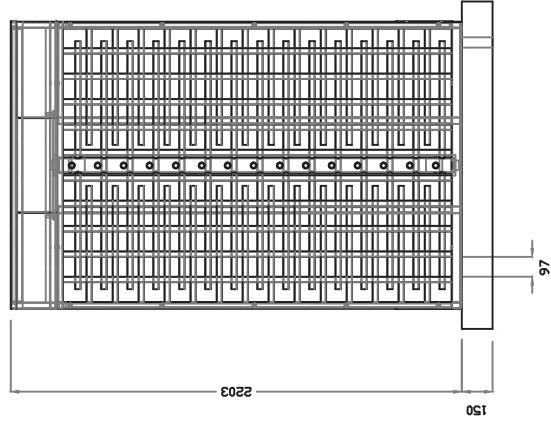
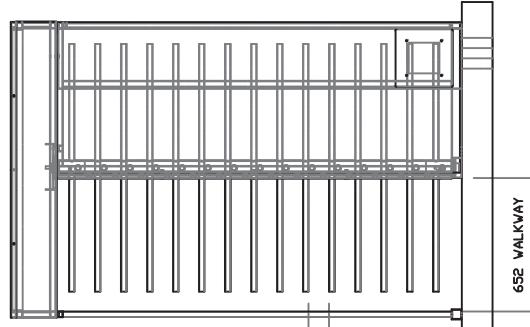
CARD SHROUD	25623-1-01	OPTIONAL	
CLADDING	TS90_1_C8		
LID	TS90_1_C7		
FENCE PANEL	TS90_1_C6		
TOP FRAME	TS90_1_C5		
ROTOR	TS90_1_C4		
INNER FENCE	TS90_1_C3		
BASE FRAME	TS90_1_C2		
ROTARY BLOCK	TS90_1_C1		
DESCRIPTION	DRAWING	QTY	



REMOVABLE SECURITY FIXED DUCT HATCH

MATERIALS:

- BASE FRAME: 30x30x3 SHS, 50x30x3 RHS, 100x50x3 RHS
- INNER FRAME: 30x30x3 SHS, 26.9X2 CHS
- ROTOR: Ø76.1x3 CHS, Ø26.9x2 CHS
- TOP FRAME: 50x50x3 RSA, 30x30x3 SHS, 25x25x2 SHS
- FENCE PANEL: 30x30x3 SHS, 50x50x3 SHS, Ø26.9x2 CHS
- LID: 25x2 SHS
- CLADDING: 1.6mm GALVANISED SHEET



SHS = SQUARE HOLLOW SECTION  
 RHS = RECTANGULAR HOLLOW SECTION  
 RSA = RECTANGULAR STEEL ANGLE  
 CHS = CIRCULAR HOLLOW SECTION

Avon Barrier Corporation Ltd.  
 149 South Liberty Lane,  
 Ashton Vale Trading Est.  
 Bristol,  
 BS3 2TL.  
 UK  
 T: +44 (0)117 953 5252  
 E: technical@avon-barrier.co.uk  
 W: www.avon-barrier.co.uk

90° TURNSTILE  
 G.A. +  
 FOUNDATION  
 DETAILS

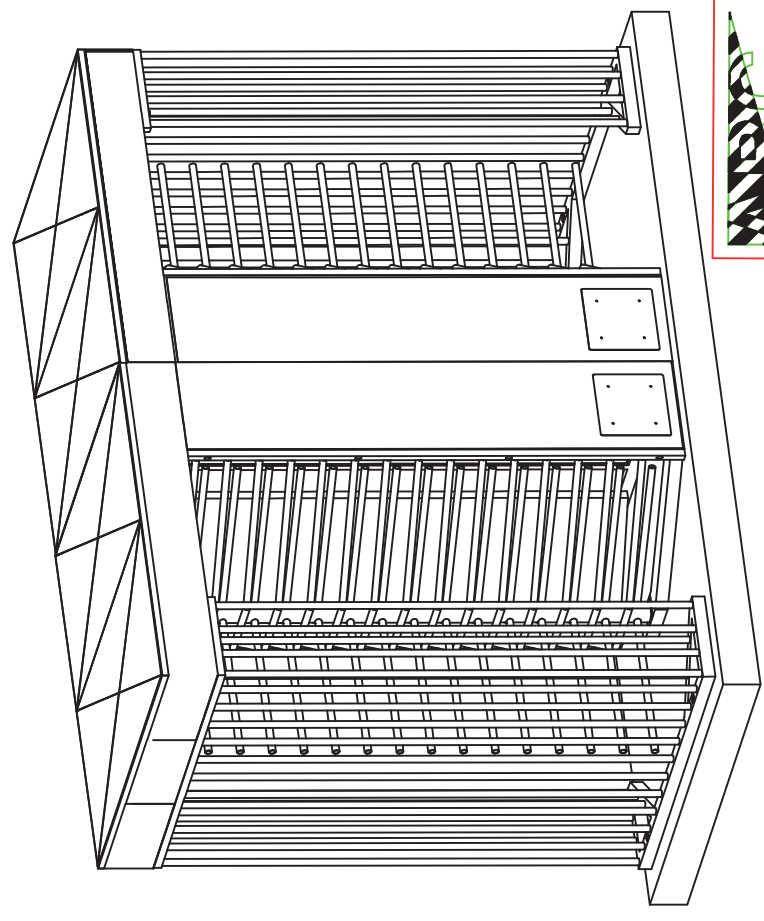
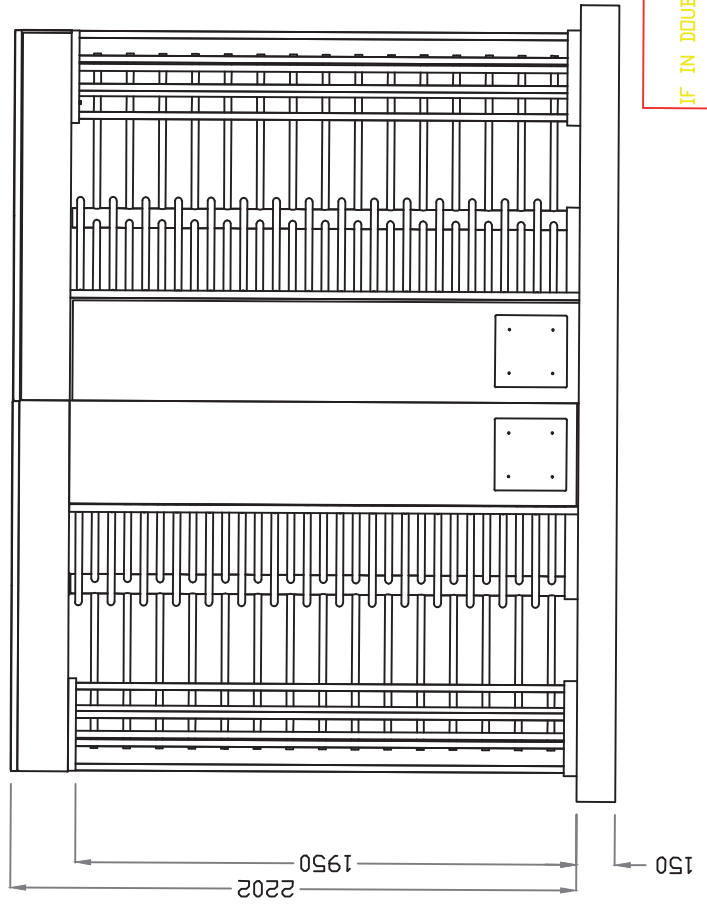
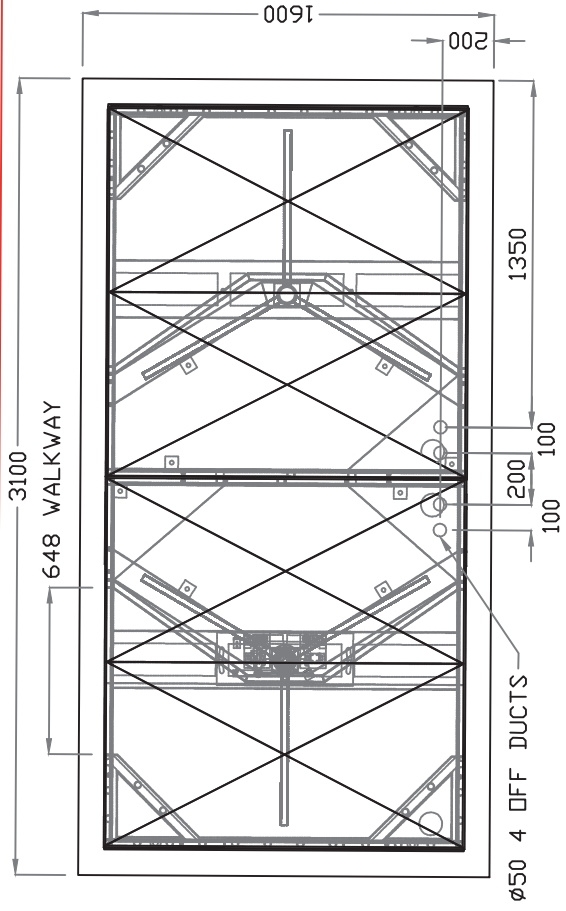
D	LID REDEFINED	MJ	4/1/11
C	INNER PANEL ADDED	MJ	23/2/07
B	2200 WAS 2100	MJ	2/6/06
ISSUE	REVISION	SIG.	DATE

Drawn	M.J	Checked	PhJ	PhJ	4/06
Scale		Scale			
Sheet	1	of	1		
Rev.					D

Based on	TS090
Revision	±0.3 UNLESS STATED
Material	M.S. BSEN 10025-1:2004 BSEN 10025-1:1997 BSEN 10025-1:1991
Finish	BSEN ISO 1461:1999 GALVANISED & POWDER COAT

3rd ANGLE PROJECTION  
 COMPUTER GENERATED  
 IF IN DOUBT ASK  
 DO NOT ALTER BY HAND

TS090\_101



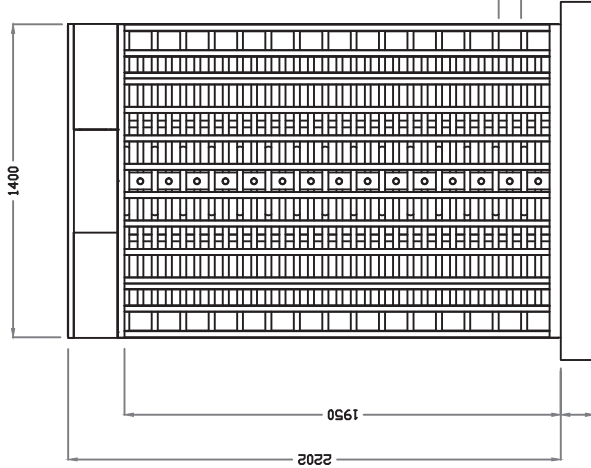
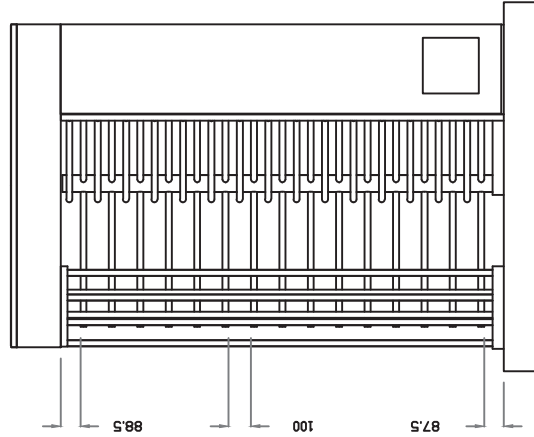
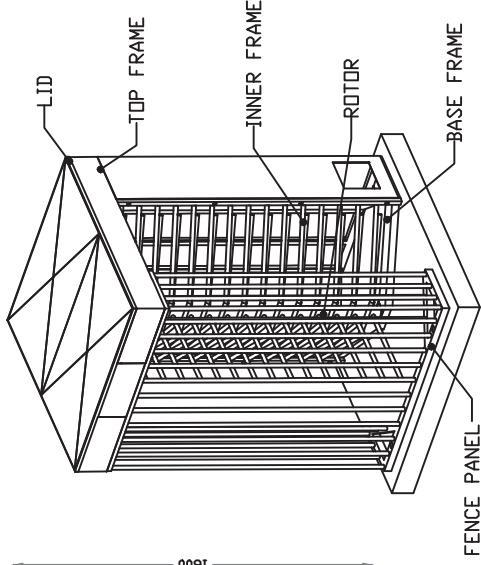
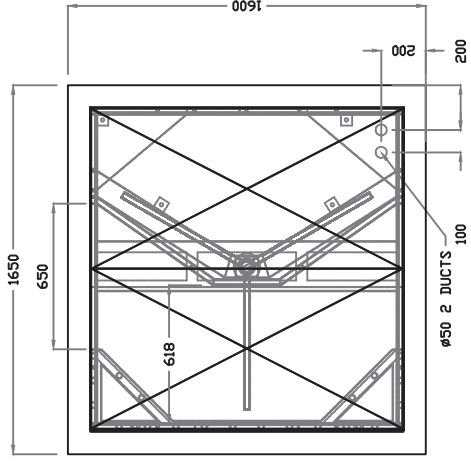
**ABC**  
Avon Barrier Corporation Ltd.  
Nova House  
198 South Liberty Lane  
Ashton Vale Trading Estate  
Bristol BS3 2JU  
Tel: (44) (0)177 953 5252  
Fax: (44) (0)177 953 5373  
E-mail: MECHANICAL@AVON-BARRIER.CO.UK

Drawing Title  
**120° TURNSTILE  
BACK TO BACK  
FOUNDATION  
DETAILS**

Drawn	M.J	Checked	T.S	Approved	T.S	Title	8/06
Issue	A	Revision	NEW	Sig Date	15/8/06	Drawing No.	TS120_101
Tolerances	±0.3 UNLESS STATED						
Material	3rd ANGLE PROJECTION						
Scale	1:1						
Sheet	1 of 1						
Rev.	A						

3rd ANGLE PROJECTION  
COMPUTER GENERATED  
DO NOT ALTER BY HAND

CABLE BOX	TS120_1_09	1
CLADDING	TS120_1_08	1
LID	TS120_1_07	1
FENCE PANEL	TS120_1_06	1
TOP FRAME	TS120_1_05	1
ROTOR	TS120_1_04	1
INNER PANEL	TS120_1_03	1
BASE FRAME	TS120_1_02	1
ROTARY BLOCK	TS120_1_01	1
DESCRIPTION	DRAWING	QTY



**MATERIALS:**

**BASE FRAME:**  
30x30x3 SHS, 50x30x3 RHS, 100x50x3 RHS

**INNER FRAME:**  
30x30x3 SHS, 26.9x2 CHS

**ROTOR:**  
ø76.1x3 CHS, ø26.9x2 CHS

**TOP FRAME:**  
50x50x3 RSA, 30x30x3 SHS, 25x25x2 SHS

**FENCE PANEL:**  
30x30x3 SHS, 50x50x3 SHS, ø26.9x2 CHS

**LID:**  
25x2 SHS

**CLADDING:** 1.6mm GALVANISED SHEET



Avon Barrier Corporation Ltd.  
149 South Liberty Lane,  
Baton Vale Trading Est.  
Baton Vale,  
BS3 2TL  
UK

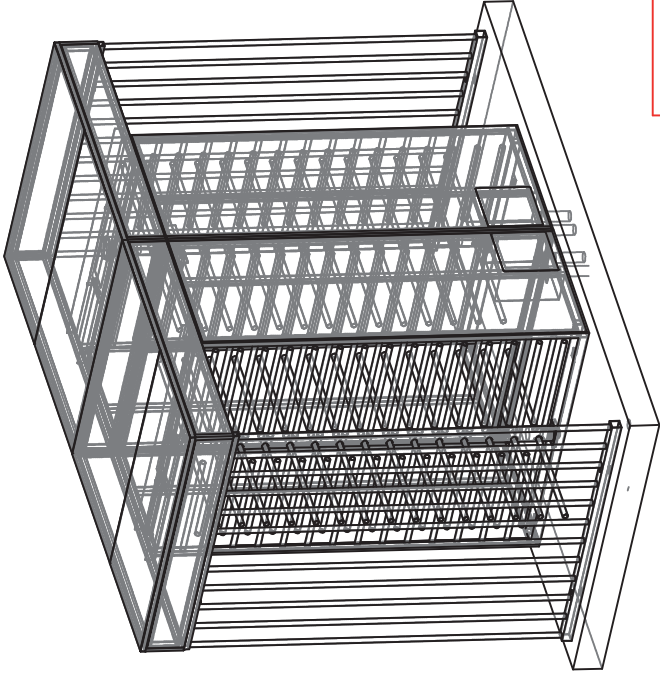
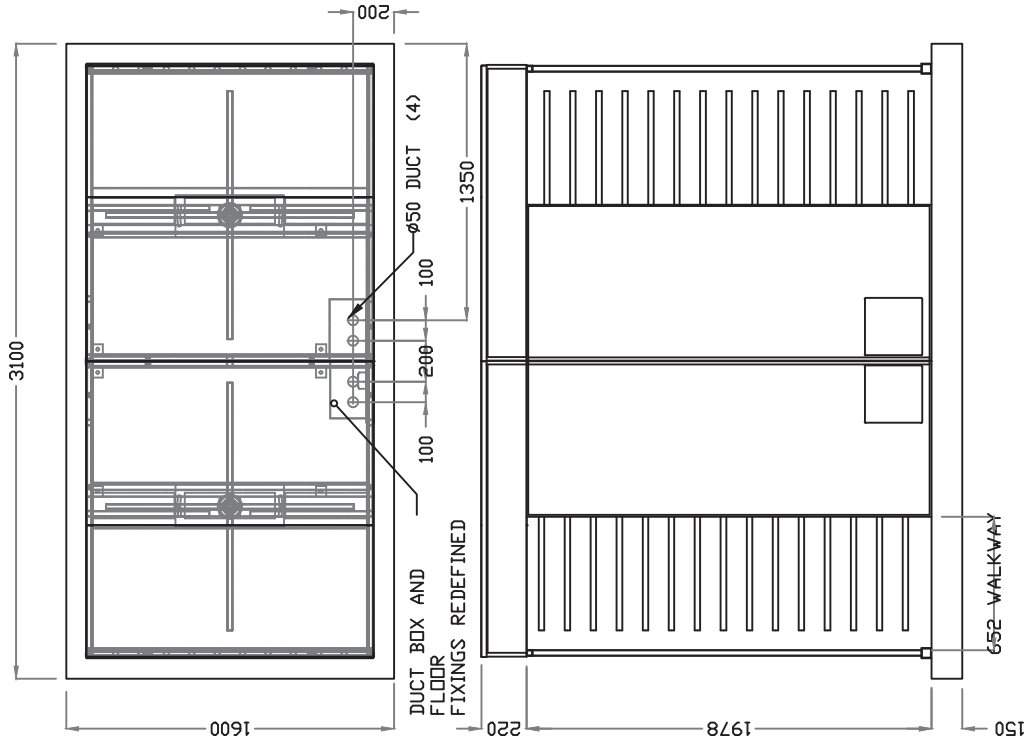
T: +44 (0)117 953 5252  
E: technical@avon-barrier.co.uk  
W: www.avon-barrier.co.uk

Drawing Title

**120° TURNSTILE  
G.A. +  
FOUNDATION  
DETAILS**

<b>A</b>	<b>NEW</b>	<b>M.J</b>	<b>15/8/06</b>	<b>M.J</b>	<b>15/8/06</b>	<b>PhJ</b>	<b>PhJ</b>	<b>PhJ</b>	<b>8/06</b>
<b>ISSUE</b>	<b>REVISION</b>	<b>SIG.</b>	<b>DATE</b>	<b>Drawn</b>	<b>Checked</b>	<b>Approved</b>	<b>Date</b>		
Tolerances		Used on		<b>M.J</b>	<b>PhJ</b>	<b>PhJ</b>	<b>PhJ</b>	<b>TS120_100</b>	
Material		Finish		Scale		Shr.		Rev.	
±0.3 UNLESS STATED		TS120		1		1		A	
M.S. BSEN 100251:2004 BSEN 10219-1:1997 BSEN 10029:1991									

SHS = SQUARE HOLLOW SECTION  
RHS = RECTANGULAR HOLLOW SECTION  
RSA = RECTANGULAR STEEL ANGLE  
CHS = CIRCULAR HOLLOW SECTION



Avon Barrier Corporation Ltd.  
 149 South Liberty Lane,  
 Ashton Vale Trading Est.  
 Bristol,  
 BS3 2TL.  
 UK.  
 T: +44 (0)117 953 5252  
 E: technical@avon-barrier.co.uk  
 W: www.avon-barrier.co.uk

Issue	NEW	Revision	Drawn	Checked	Approved	Date
			MJ	PhJ	PhJ	6/06
Signature						
Drawing No.	TS090_102					

90° TURNSTILE  
 HANDED G.A. +  
 FOUNDATION  
 DETAILS

Scale	1	of	1
Sheet	1	of	1
Rev.			A

ISSUE	NEW	REVISION	Drawn	Checked	Approved	Date
			MJ	PhJ	PhJ	6/06
Signature						
Drawing No.	TS090_102					
Scale	1	of	1			
Sheet	1	of	1			
Rev.						A

3rd ANGLE PROJECTION  
 UNLESS STATED  
 TOLERANCES  
 ±0.3  
 FINISH  
 UNLESS STATED

IF IN DOUBT ASK  
 COMPUTER GENERATED  
 DO NOT ALTER BY HAND